

**PARTS  
CATALOGUE  
CATALOGO  
DE REPUESTOS**

**YW125** (24S1) MEXICO

---



1H24S-210S1

( )

YW125  
CATALOGO DE REPUESTOS  
©2008 por Yamaha Motor Co., Ltd.  
1ª edición, junio 2008  
Todos los derechos reservados.  
Toda reproducción o uso no autorizado  
sin el consentimiento escrito de  
Yamaha Motor Co., Ltd.  
quedan expresamente prohibidos  
Impreso en Japón.

YW125  
PARTS CATALOGUE  
©2008 by Yamaha Motor Co., Ltd.  
1st edition, June 2008  
All rights reserved.  
Any reprinting or unauthorized use  
without the written permission of  
Yamaha Motor Co., Ltd.  
is expressly prohibited.  
Printed in Japan.

# PROLOGO

Este catálogo de repuestos corresponde a las piezas para el o los modelos que figuran en la página de portada. Al formular el pedido de repuestos, se ruega citar este catálogo y especificar correctamente el número y el nombre de las piezas.

1. Las modificaciones y agregados que se hayan realizado después de la edición de este Catálogo de Repuestos, serán anunciados en las Informaciones de Recambios. Es recomendable que se hagan las correcciones necesarias en el Catálogo de Repuestos de acuerdo con las Informaciones de Recambios.

2. Abreviaciones

En este. Catálogo de Repuestos se emplean las siguientes abreviaciones.

“UR” Usar el número de partes especificado

“UN” Usar la cantidad necesaria

“AP” Piezas sustitutivas

“LM” Fabricación local (Hay que pedir los repuestos en las cercanías)

“F#” N° de bastidor (N° aplicable a la máquina)

“O/S” Sobredimensionado

3. La cantidad de componentes para el montaje

- Los componentes, suministrados como conjunto, se describen con un punto (.) que precede al nombre del parte como se indica a continuación.
- La numeración que aparece a la derecha de cada descripción indica la cantidad de partes por cada unidad de conjunto.

| CODIGO N°    | DESCRIPCION          | CANT. | OBSERVACIONES |
|--------------|----------------------|-------|---------------|
| 2F5-83310-60 | ENSAMBLAJE DE LA LUZ | 2     |               |
| 115-83311-60 | .BOMBILLA (6V-18W)   | 1     |               |

4. Los colores de los componentes se indican como sigue en la columna de “OBSERVACIONES”.

| CODIGO N°       | DESCRIPCION          | CANT. | OBSERVACIONES |
|-----------------|----------------------|-------|---------------|
| 2N4-24110-00-X5 | COMP. DEL TANQUE     | 2     | MXR           |
| 3J1-24240-10    | .GRAFICO, DEL TANQUE | 1     | PARA MXR      |

5. Debe tenerse en cuenta que las ilustraciones sirven como guía para la búsqueda de los números de partes y no deben usarse para el montaje. Durante el montaje, se recomienda usar el manual de taller correspondiente.

6. EL asterisco (\*) antes del número de referencia indica los elementos modificados después de la primera edición.

# FOREWORD

This Parts Catalogue is related to the parts for the model(s) on the cover page. When you are ordering replacement parts, please refer to this Parts Catalogue and quote both part numbers and part names correctly.

1. Modifications or additions which have been made after the issue of the Parts Catalogue will be announced in the Parts News.

It is advisable that you make the necessary corrections to the Parts Catalogue according to the Parts News.

2. Abbreviations

The following abbreviations are used in this Parts Catalogue.

“UR” Use specified parts number.

“UN” Use as many as needed.

“AP” Alternate Parts

“LM” Locally Made (Parts need to be ordered locally)

“F#” Frame No. (Applicable machine No.)

“O/S” Over Size

3. The number of components for assembly

- Parts, which are to be supplied in an assembly, are listed with a dot (.) in front of the part name as shown below.
- The numeral appearing to the right of each component part indicates the quantity of parts for each assembly unit.

| PART NO.     | DESCRIPTION              | Q'TY | REMARKS |
|--------------|--------------------------|------|---------|
| 2F5-83310-60 | FRONT FLASHER LIGHT ASSY | 2    |         |
| 115-83311-60 | .BULB (6V-18W)           | 1    |         |

4. Applicable colours of graphics are represented in the “REMARKS” as shown below.

| PART NO.        | DESCRIPTION         | Q'TY | REMARKS |
|-----------------|---------------------|------|---------|
| 2N4-24110-00-X5 | FUEL TANK COMP.     | 2    | MXR     |
| 3J1-24240-10    | .GRAPHIC, FUEL TANK | 1    | FOR MXR |

5. Note that the illustrations for reference in finding parts numbers are not to be used for assembling. When assembling, please use the applicable service manual.

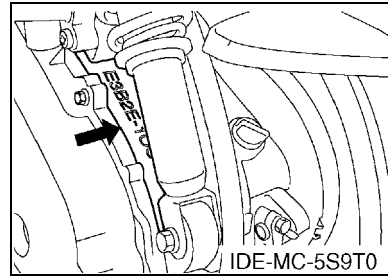
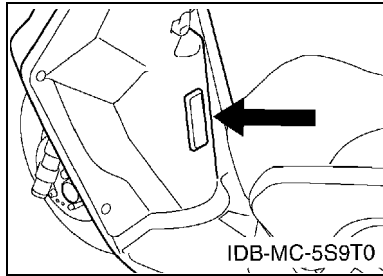
6. The asterisk (\*) before a reference number indicates modified items after the first edition.

# PROLOGO

## 7. Números de serie

Nº de Serie del bastidor

Nº de Serie del motor



## 8. Códigos de color aplicables (El símbolo (\*) muestra el color de modelo.)

| Abreviatura | Nombre de color               | Código de color |
|-------------|-------------------------------|-----------------|
| CMY(*)      | CALM YELLOW                   | 00AL            |
| DPBMC(*)    | DEEP PURPLISH BLUE METALLIC C | 0564            |
| LGB         | LOW GLOSS BLACK               | 0098            |
| MDS         | MIDNIGHT SILVER               | 007M            |
| SL          | SILVER                        | 0035            |
| SMX(*)      | BLACK METALLIC X              | 0903            |
| VRM5(*)     | VIVID RED METALLIC 5          | 0632            |
| YB          | YAMAHA BLACK                  | 0033            |
|             |                               |                 |
|             |                               |                 |

## 9. Nº de serie inicial aplicable

Nº de Serie del bastidor

| Nº de serie | Nombre de la columna de cantidades | Código de Modelo |
|-------------|------------------------------------|------------------|
|             |                                    |                  |
|             |                                    |                  |
|             |                                    |                  |
|             |                                    |                  |
|             |                                    |                  |

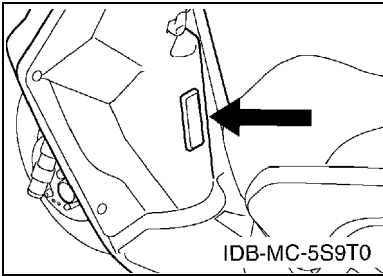
Nº de Serie del motor

| Nº de serie | Nombre de la columna de cantidades | Código de Modelo |
|-------------|------------------------------------|------------------|
|             |                                    |                  |
|             |                                    |                  |
|             |                                    |                  |
|             |                                    |                  |
|             |                                    |                  |

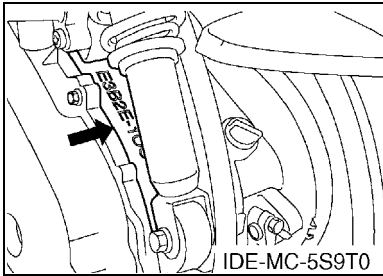
# FOREWORD

7. Applicable Serial No.

Frame Serial No.



Engine Serial No.



8. Applicable Colour Code (The (\*) mark shows Model colour.)

| Abbreviation | Colour Name                   | Colour Code |
|--------------|-------------------------------|-------------|
| CMY(*)       | CALM YELLOW                   | 00AL        |
| DPBMC(*)     | DEEP PURPLISH BLUE METALLIC C | 0564        |
| LGB          | LOW GLOSS BLACK               | 0098        |
| MDS          | MIDNIGHT SILVER               | 007M        |
| SL           | SILVER                        | 0035        |
| SMX(*)       | BLACK METALLIC X              | 0903        |
| VRM5(*)      | VIVID RED METALLIC 5          | 0632        |
| YB           | YAMAHA BLACK                  | 0033        |
|              |                               |             |
|              |                               |             |

9. Applicable Starting Serial No.

Frame Serial No.

| Serial No. | Name Of Q'ty Column | Model Code |
|------------|---------------------|------------|
|            |                     |            |
|            |                     |            |
|            |                     |            |
|            |                     |            |

Engine Serial No.

| Serial No. | Name Of Q'ty Column | Model Code |
|------------|---------------------|------------|
|            |                     |            |
|            |                     |            |
|            |                     |            |
|            |                     |            |

# CONTENIDO

## MOTOR

|                                     |    |
|-------------------------------------|----|
| CILINDRO .....                      | 1  |
| CIGUENAL & PISTON .....             | 3  |
| VALVULA .....                       | 4  |
| CUBIERTA DE AIRE & VENTILADOR ..... | 5  |
| BOMBA DE ACEITE .....               | 6  |
| ADMISION .....                      | 7  |
| CARBURADOR .....                    | 8  |
| DESCARGA .....                      | 10 |
| CARTER .....                        | 11 |
| ARRANQUE .....                      | 13 |
| EMBRAGUE .....                      | 14 |
| TRANSMISION .....                   | 16 |

## SHASIS

|                                      |    |
|--------------------------------------|----|
| CUADRO .....                         | 17 |
| GUARDABARRO DELANTERO .....          | 18 |
| CUBIERTA LATERAL .....               | 19 |
| BRAZO TRASERO & SUSPENSION .....     | 20 |
| HORQUILLA DELANTERA .....            | 21 |
| DEPOSITO DE COMBUSTIBLE .....        | 23 |
| ASIENTO .....                        | 24 |
| RUEDA DELANTERA .....                | 25 |
| CALIBRE FRENO DELANTERA .....        | 26 |
| RUEDA TRASERA .....                  | 27 |
| MANILLAR & CABLE .....               | 28 |
| CILINDRO MAESTRO DELANTERO .....     | 29 |
| SOPORTE & APOYAPIE .....             | 30 |
| PATA PROTEGIDA .....                 | 31 |
| BOVEDA 1 .....                       | 33 |
| GENERADOR .....                      | 34 |
| MOTOR DE ARRANQUE .....              | 35 |
| LUZ DE DESTELLADOR .....             | 36 |
| MEDIDOR .....                        | 37 |
| FARO DELANTERO .....                 | 38 |
| LUZ DE COLA .....                    | 39 |
| INTERRUPTOR DE MANILLAR&PALANC ..... | 40 |
| EQUIPO ELECTRICO 1 .....             | 41 |

## INDICE

|                       |    |
|-----------------------|----|
| INDICE NUMERICO ..... | 42 |
|-----------------------|----|

# CONTENTS

## ENGINE

|                           |    |
|---------------------------|----|
| CYLINDER .....            | 1  |
| CRANKSHAFT & PISTON ..... | 3  |
| VALVE .....               | 4  |
| AIR SHROUD & FAN .....    | 5  |
| OIL PUMP .....            | 6  |
| INTAKE .....              | 7  |
| CARBURETOR .....          | 8  |
| EXHAUST .....             | 10 |
| CRANKCASE .....           | 11 |
| STARTER .....             | 13 |
| CLUTCH .....              | 14 |
| TRANSMISSION .....        | 16 |

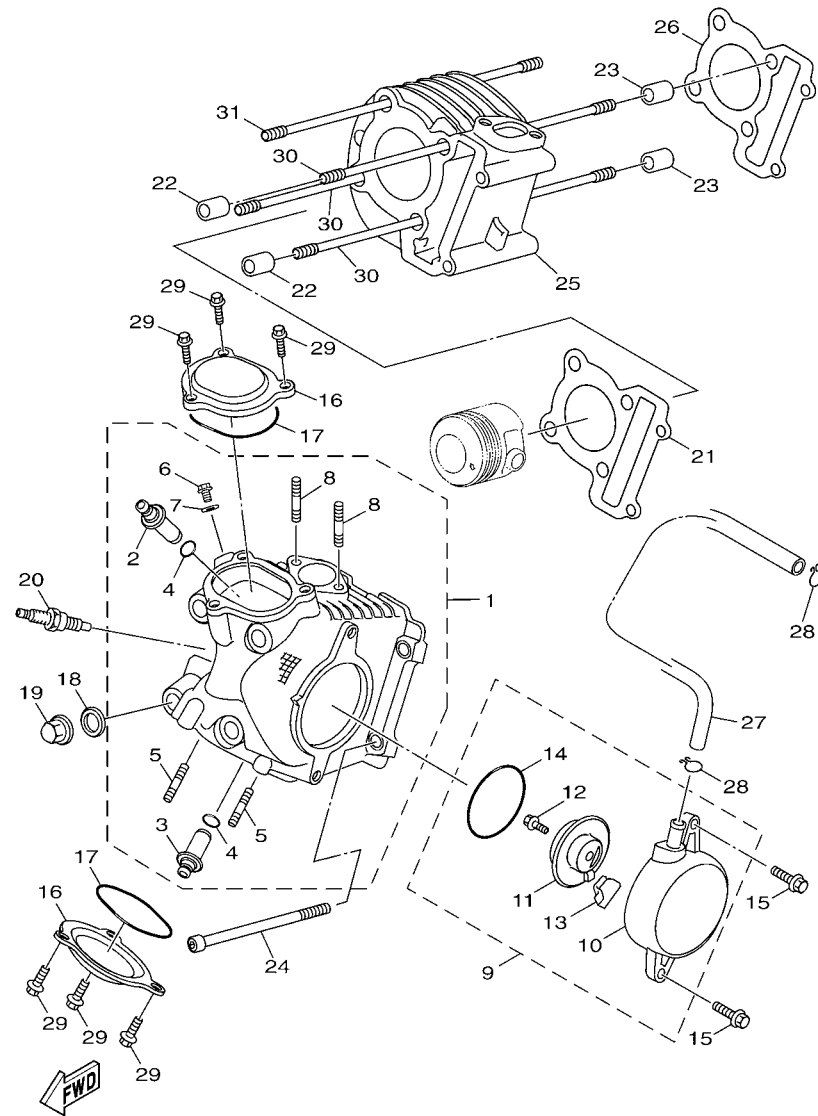
## CHASSIS

|                               |    |
|-------------------------------|----|
| FRAME .....                   | 17 |
| FRONT FENDER .....            | 18 |
| SIDE COVER .....              | 19 |
| REAR ARM & SUSPENSION .....   | 20 |
| FRONT FORK .....              | 21 |
| FUEL TANK .....               | 23 |
| SEAT .....                    | 24 |
| FRONT WHEEL .....             | 25 |
| FRONT BRAKE CALIPER .....     | 26 |
| REAR WHEEL .....              | 27 |
| STEERING HANDLE & CABLE ..... | 28 |
| FRONT MASTER CYLINDER .....   | 29 |
| STAND & FOOTREST .....        | 30 |
| LEG SHIELD .....              | 31 |
| COWLING 1 .....               | 33 |
| GENERATOR .....               | 34 |
| STARTING MOTOR .....          | 35 |
| FLASHER LIGHT .....           | 36 |
| METER .....                   | 37 |
| HEADLIGHT .....               | 38 |
| TAILLIGHT .....               | 39 |
| HANDLE SWITCH & LEVER .....   | 40 |
| ELECTRICAL 1 .....            | 41 |

## INDEX

|                       |    |
|-----------------------|----|
| NUMERICAL INDEX ..... | 42 |
|-----------------------|----|





24S1210-H010

FIG. 1 CILINDRO

CYLINDER

| REF. Nº | CODIGO Nº PART NO. | DESCRIPCION DESCRIPTION                                    | 24S1 |  |  |  | OBSERVACIONES REMARKS |
|---------|--------------------|--|------|--|--|--|-----------------------|
| 1       | 24P-E1102-00       | CULATA DE CILINDRO COMPLETA<br>CYLINDER HEAD ASSY          | 1    |  |  |  |                       |
| 2       | 1P3-E1133-10       | .GUIA DE VALVULA 1<br>.GUIDE, VALVE 1                      | 2    |  |  |  |                       |
| 3       | 1P3-E1134-10       | .GUIA DE VALVULA 2<br>.GUIDE, VALVE 2                      | 2    |  |  |  |                       |
| 4       | 93210-09802        | .ANILLO O<br>.O-RING                                       | 4    |  |  |  |                       |
| 5       | 90116-08806        | .ESPARRAGO<br>.BOLT, STUD                                  | 2    |  |  |  |                       |
| 6       | 90153-06803        | .TORNILLO HEXAGONAL<br>.SCREW, HEXAGON                     | 1    |  |  |  |                       |
| 7       | 90430-06014        | .JUNTA<br>.GASKET  | 1    |  |  |  |                       |
| 8       | 95617-06625        | .PERNO DE PUNTAL<br>.BOLT, STUD                            | 2    |  |  |  |                       |
| 9       | 5ML-E1160-00       | RESPIRADERO COMPLETO<br>BREATHER ASSY                      | 1    |  |  |  |                       |
| 10      | 5ML-E1185-00       | .CUBIERTA CULATA CIL.LAT.1<br>.COVER, CYLINDER HEAD SIDE 1 | 1    |  |  |  |                       |
| 11      | 5ML-E1165-00       | .PLACA RESPIRADERO<br>.PLATE, BREATHER                     | 1    |  |  |  |                       |
| 12      | 97527-06512        | .PERNO CON ARANDELA<br>.BOLT, WITH WASHER                  | 1    |  |  |  |                       |
| 13      | 4CW-E1155-00       | .SELLO LABERINTO<br>.SEAL, LABYRINTH                       | 1    |  |  |  |                       |
| 14      | 93210-71462        | .ANILLO O<br>.O-RING                                       | 1    |  |  |  |                       |
| 15      | 95027-06020        | PERNO, DE BRIDA<br>BOLT, FLANGE                            | 2    |  |  |  |                       |
| 16      | 5ML-E1186-00       | CUBIERTA CULATA CIL.LAT.2<br>COVER, CYLINDER HEAD SIDE 2   | 2    |  |  |  |                       |
| 17      | 93210-54008        | ANILLO O<br>O-RING   | 2    |  |  |  |                       |
| 18      | 90201-08609        | ARANDELA PLANA<br>WASHER, PLATE                            | 4    |  |  |  |                       |
| 19      | 90176-08816        | TUERCA CORONA<br>NUT, CROWN                                | 4    |  |  |  |                       |
| 20      | 94700-00881        | BUJIA (DENSO U22ESR-N)<br>PLUG, SPARK (DENSO U22ESR-N)     | 1    |  |  |  |                       |
| 21      | 5ML-E1181-00       | JUNTA, DE CULATA 1<br>GASKET, CYLINDER HEAD 1              | 1    |  |  |  |                       |
| 22      | 91810-14807        | PASADOR DE CLAVIJA<br>PIN, DOWEL                           | 2    |  |  |  |                       |
| 23      | 91810-14807        | PASADOR DE CLAVIJA<br>PIN, DOWEL                           | 2    |  |  |  |                       |
| 24      | 91317-06100        | PERNO<br>BOLT  | 2    |  |  |  |                       |
| 25      | 5ML-E1311-20       | CILINDRO 1<br>CYLINDER 1                                   | 1    |  |  |  |                       |
| 26      | 5ML-E1351-20       | JUNTA, DE CILINDRO<br>GASKET, CYLINDER                     | 1    |  |  |  |                       |
| 27      | 1P5-E4987-00       | TUBO<br>HOSE   | 1    |  |  |  |                       |

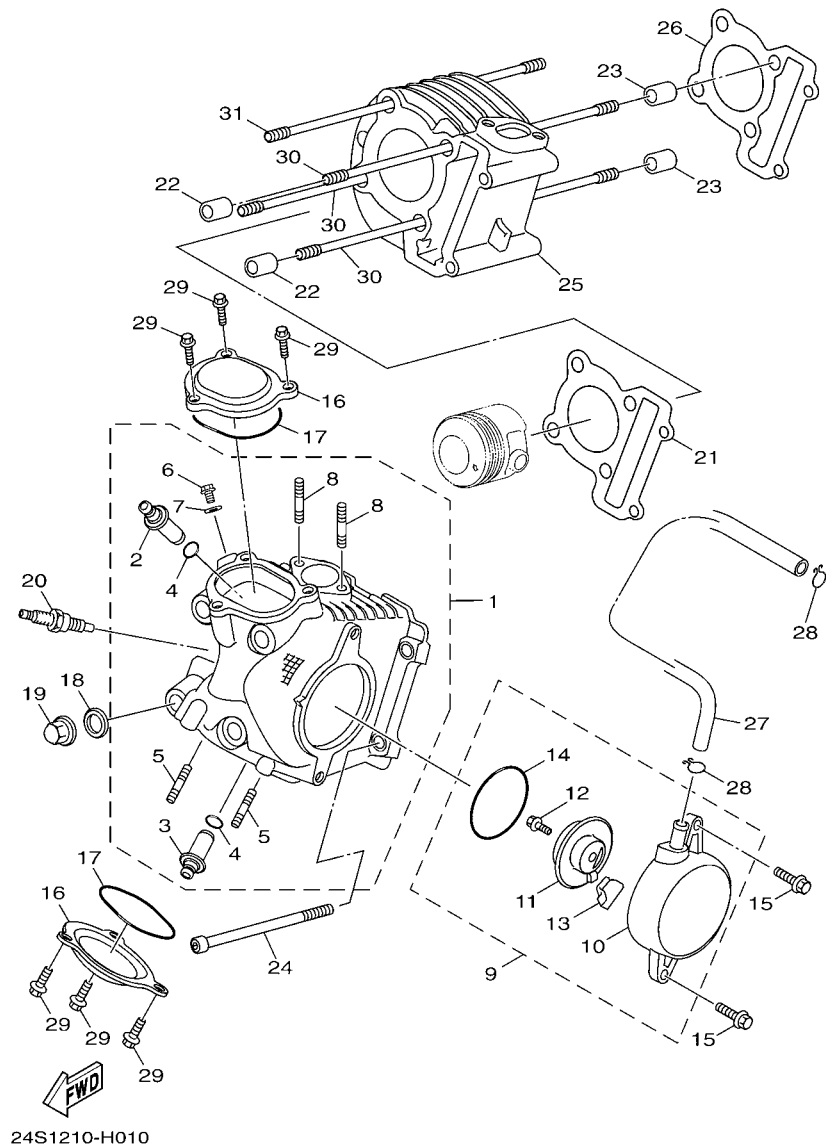


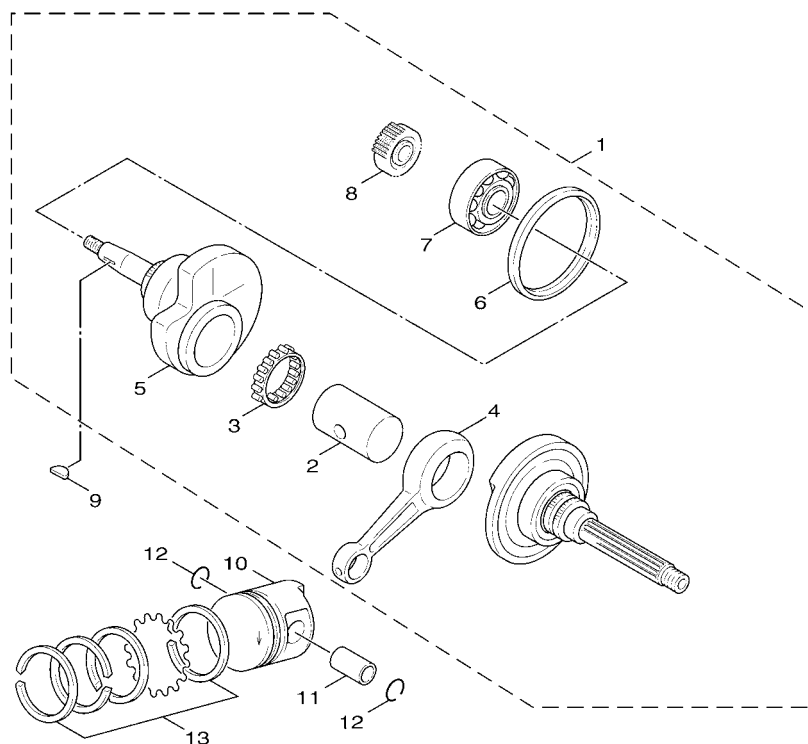
FIG. 1 CILINDRO

CYLINDER

| REF. Nº | CODIGO Nº PART NO. | DESCRIPCION DESCRIPTION                  | 24S1 |  |  |  |  | OBSERVACIONES REMARKS |
|---------|--------------------|--|------|--|--|--|--|-----------------------|
| 28      | 90467-13042        | PRESILLA<br>CLIP                         | 2    |  |  |  |  |                       |
| 29      | 95027-06016        | PERNO, DE BRIDA<br>BOLT, FLANGE          | 6    |  |  |  |  |                       |
| 30      | 5ML-E1391-00       | PERNO PERNO PRISIONERO 1<br>BOLT, STUD 1 | 3    |  |  |  |  |                       |
| 31      | 5ML-E1392-00       | PERNO PRISIONERO 2<br>BOLT, STUD 2       | 1    |  |  |  |  |                       |
| -----   |                    |  |      |  |  |  |  |                       |
| -----   |                    |  |      |  |  |  |  |                       |
| -----   |                    |  |      |  |  |  |  |                       |
| -----   |                    |  |      |  |  |  |  |                       |
| -----   |                    |  |      |  |  |  |  |                       |
| -----   |                    |  |      |  |  |  |  |                       |
| -----   |                    |  |      |  |  |  |  |                       |

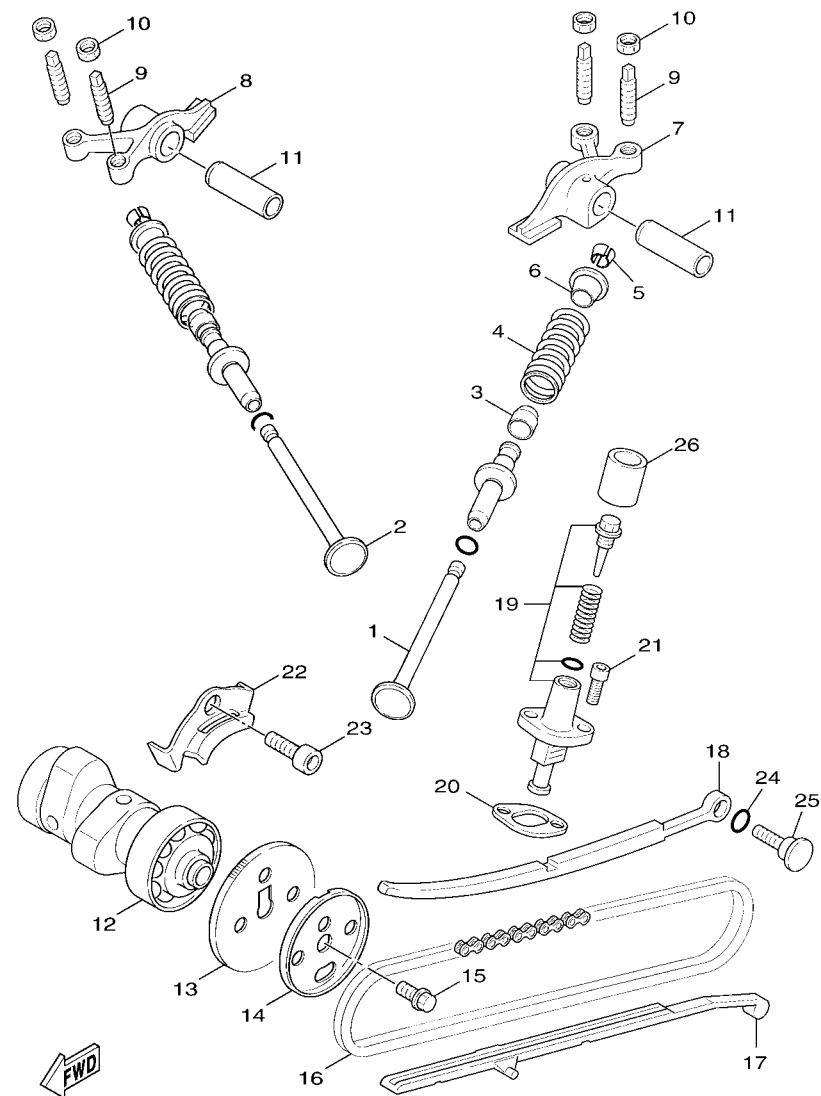
**FIG. 2 CIGUENAL & PISTON**

**CRANKSHAFT & PISTON**



  
5TY5414-E020

| REF. N° | CODIGO Nº PART NO. | DESCRIPCION DESCRIPTION                           | 24S1 |  |  |  | OBSERVACIONES REMARKS |
|---------|--------------------|---|------|--|--|--|-----------------------|
| 1       | 5S9-E1400-00       | CIGUENAL COMPLETO<br>CRANKSHAFT ASSY              | 1    |  |  |  |                       |
| 2       | 5ML-E1681-00       | .PASADOR MANIVELA 1<br>.PIN, CRANK 1              | 1    |  |  |  |                       |
| 3       | 93310-528Y9        | .COJINETE DE RODILLOS<br>.BEARING                 | 1    |  |  |  |                       |
| 4       | 5LW-E1651-00       | .BIELA<br>.ROD, CONNECTING                        | 1    |  |  |  |                       |
| 5       | 1P3-E1422-00       | .MANIVELA 2<br>.CRANK 2                           | 1    |  |  |  |                       |
| 6       | 5ML-E3452-00       | .CUBIERTA FILTRO ROTOR<br>.COVER, ROTOR FILTER    | 1    |  |  |  |                       |
| 7       | 93306-372Y3        | .COJINETE<br>.BEARING                             | 1    |  |  |  |                       |
| 8       | 5ML-E3324-00       | .ENGRANAJE TRACC. DE BOMBA<br>.GEAR, PUMP DRIVE   | 1    |  |  |  |                       |
| 9       | 90280-03045        | CUNA WOODRUFF<br>KEY, WOODRUFF                    | 1    |  |  |  |                       |
| 10      | 5ML-E1631-10       | PISTON (NORMA)<br>PISTON (STD)                    | 1    |  |  |  |                       |
| 11      | 5LW-E1633-00       | PASADOR, PISTON<br>PIN, PISTON                    | 1    |  |  |  |                       |
| 12      | 93450-16068        | SEGURO<br>CIRCLIP                                 | 2    |  |  |  |                       |
| 13      | 4C6-E1603-00       | JUEGO DE ANILLOS (NORMA)<br>PISTON RING SET (STD) | 1    |  |  |  |                       |
|         |                    |   |      |  |  |  |                       |
|         |                    |   |      |  |  |  |                       |
|         |                    |   |      |  |  |  |                       |
|         |                    |   |      |  |  |  |                       |

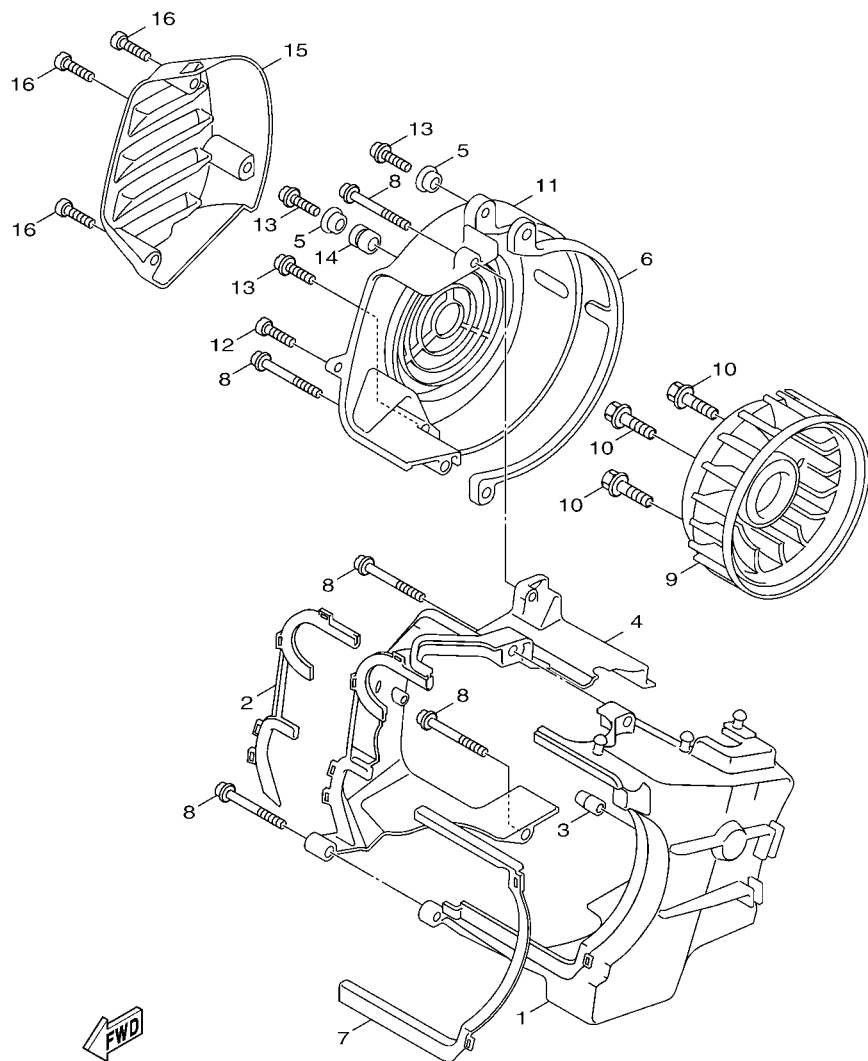


24S1210-H030

FIG. 3 VALVULA

VALVE

| REF. Nº | CODIGO Nº PART NO. | DESCRIPCION DESCRIPTION                              | 24S1 |  |  |  | OBSERVACIONES REMARKS |
|---------|--------------------|--|------|--|--|--|-----------------------|
| 1       | 4C6-E2111-00       | VALVULA DE ADMISION VALVE, INTAKE                    | 2    |  |  |  |                       |
| 2       | 4C6-E2121-00       | VALVULA DE ESCAPE VALVE, EXHAUST                     | 2    |  |  |  |                       |
| 3       | 5ML-E2119-00       | SELLO DE ACEITE VALVULA SEAL, VALVE STEM             | 4    |  |  |  |                       |
| 4       | 5ML-12113-00       | RESORTE VALVULA INTERNA SPRING, VALVE INNER          | 4    |  |  |  |                       |
| 5       | 5WG-E2118-00       | SEGURO DE VALVULA COTTER, VALVE                      | 8    |  |  |  |                       |
| 6       | 4C6-E2117-00       | RETEN RESORTE DE VALVULA RETAINER, VALVE SPRING      | 4    |  |  |  |                       |
| 7       | 1P3-E2151-00       | BRAZO DE BALANCIN DE VALVULA ARM, VALVE ROCKER       | 1    |  |  |  |                       |
| 8       | 1P3-E2161-00       | BRAZO DE BALANCIN DE VALVULA ARM, VALVE ROCKER 2     | 1    |  |  |  |                       |
| 9       | 5FM-E2159-00       | TORNILLO DE AJUSTE DE VALVULA SCREW, VALVE ADJUSTING | 4    |  |  |  |                       |
| 10      | 90170-05800        | TUERCA NUT   | 4    |  |  |  |                       |
| 11      | 5HK-E2156-00       | EJE DE BALANCIN SHAFT, ROCKER 2                      | 2    |  |  |  |                       |
| 12      | 5S9-E2170-01       | ARBOL DE LEVAS COMPLETO 1 CAMSHAFT ASSY 1            | 1    |  |  |  |                       |
| 13      | 5LW-E2176-00       | CATALINA DE CADENA SPROCKET, CAM CHAIN               | 1    |  |  |  |                       |
| 14      | 5ML-E1145-00       | PLACA RESPIRADERO 2 PLATE, BREATHER 2                | 1    |  |  |  |                       |
| 15      | 95817-08016        | TORNILLO BOLT, FLANGE                                | 1    |  |  |  |                       |
| 16      | 94568-75094        | CADENA CHAIN   | 1    |  |  |  |                       |
| 17      | 5ML-E2231-00       | TOPE DE GUIA 1 GUIDE, STOPPER 1                      | 1    |  |  |  |                       |
| 18      | 5ML-E2241-00       | TOPE DE GUIA 2 GUIDE, STOPPER 2                      | 1    |  |  |  |                       |
| 19      | 5ML-E2210-00       | TENSOR CADENA DE LEVA TENSIONER ASSY, CAM CHAIN      | 1    |  |  |  |                       |
| 20      | 4DH-E2213-01       | EMPAQUE DE CAJA TENSOR GASKET, TENSIONER CASE        | 1    |  |  |  |                       |
| 21      | 91317-06016        | PERNO BOLT   | 2    |  |  |  |                       |
| 22      | 5ML-E111F-00       | PLACA PLATE  | 1    |  |  |  |                       |
| 23      | 91317-06012        | PERNO BOLT   | 1    |  |  |  |                       |
| 24      | 93210-15862        | ANILLO O O-RING                                      | 1    |  |  |  |                       |
| 25      | 4CW-E2157-00       | PERNO BOLT   | 1    |  |  |  |                       |
| 26      | 4CW-E2232-00       | AMORTIGUADOR DAMPER                                  | 1    |  |  |  |                       |



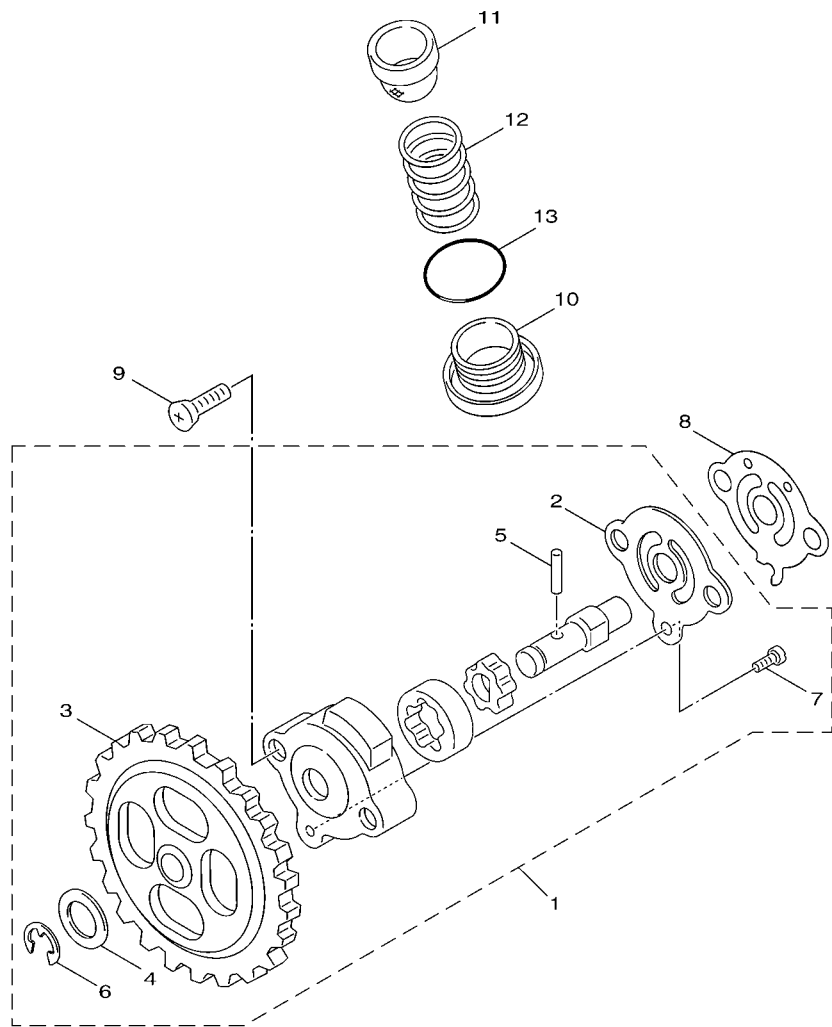
24S1210-H040

FIG. 4 CUBIERTA DE AIRE & VENTILADOR AIR SHROUD & FAN

| REF. Nº | CODIGO Nº<br>PART NO. | DESCRIPCION<br>DESCRIPTION                           | 24S1 |  |  |  | OBSERVACIONES<br>REMARKS |
|---------|-----------------------|--|------|--|--|--|--------------------------|
| 1       | 5ML-E2651-00          | CUBIERTA DE PASO DE AIRE 1<br>AIR SHROUD, CYLINDER 1 | 1    |  |  |  |                          |
| 2       | 5ML-E2668-00          | AMORTIGUADOR DE CUBIERTA 3<br>DAMPER, AIR SHROUD 3   | 1    |  |  |  |                          |
| 3       | 3KW-E3569-00          | TAPON CIEGO<br>PLUG, BLIND                           | 1    |  |  |  |                          |
| 4       | 5ML-E2652-00          | CUBIERTA DE PASO DE AIRE 2<br>AIR SHROUD, CYLINDER 2 | 1    |  |  |  |                          |
| 5       | 90387-068F9           | ESPACIADOR<br>COLLAR                                 | 3    |  |  |  |                          |
| 6       | 5ML-E2658-00          | AMORTIGUADOR DE CUBIERTA 1<br>DAMPER, AIR SHROUD 1   | 1    |  |  |  |                          |
| 7       | 5ML-E2659-00          | AMORTIGUADOR DE CUBIERTA 2<br>DAMPER, AIR SHROUD 2   | 1    |  |  |  |                          |
| 8       | 97707-60530           | TORNILLO ROSCA HEMBRA<br>SCREW, TAPPING              | 5    |  |  |  |                          |
| 9       | 5TY-E2611-00          | VENTILADOR<br>FAN                                    | 1    |  |  |  |                          |
| 10      | 90119-06857           | TORNILLO CON ARANDELA<br>BOLT, WITH WASHER           | 4    |  |  |  |                          |
| 11      | 5ML-E2653-01          | CUBIERTA DE PASO DE AIRE 3<br>AIR SHROUD, CYLINDER 3 | 1    |  |  |  |                          |
| 12      | 97707-60516           | TORNILLO ROSCA HEMBRA<br>SCREW, TAPPING              | 1    |  |  |  |                          |
| 13      | 97607-06220           | TORNILLO CAB CON PLANA C/ARAN<br>SCREW, WITH WASHER  | 3    |  |  |  |                          |
| 14      | 90480-12497           | TAPON<br>GROMMET                                     | 1    |  |  |  |                          |
| 15      | 5S9-E262H-00          | GUIA 1<br>GUIDE 1                                    | 1    |  |  |  |                          |
| 16      | 97707-60520           | TORNILLO ROSCA HEMBRA<br>SCREW, TAPPING              | 3    |  |  |  |                          |
|         |                       |  |      |  |  |  |                          |
|         |                       |  |      |  |  |  |                          |
|         |                       |  |      |  |  |  |                          |
|         |                       |  |      |  |  |  |                          |

FIG. 5 BOMBA DE ACEITE

OIL PUMP



  
24S1210-H050

| REF. Nº | CODIGO Nº<br>PART NO. | DESCRIPCION<br>DESCRIPTION                           | 24S1 |  |  |  | OBSERVACIONES<br>REMARKS |
|---------|-----------------------|--|------|--|--|--|--------------------------|
| 1       | 1P3-E3300-00          | BOMBA DE ACEITE COMPLETA<br>OIL PUMP ASSY            | 1    |  |  |  |                          |
| 2       | 1P3-E3316-00          | .CUBIERTA DE BOMBA<br>.COVER, PUMP                   | 1    |  |  |  |                          |
| 3       | 1P3-E3325-00          | .ENGRANAJE IMPULSOR DE BOMBA 1<br>.GEAR, PUMP DRIVEN | 1    |  |  |  |                          |
| 4       | 1P3-E3318-00          | .ARANDELA<br>.WASHER                                 | 1    |  |  |  |                          |
| 5       | 1P3-E3362-00          | .RODILLO<br>.ROLLER                                  | 1    |  |  |  |                          |
| 6       | 1P3-E3364-00          | .SEGURO<br>.CIRCLIP                                  | 1    |  |  |  |                          |
| 7       | 5ST-E3365-00          | .TORNILLO DE CABEZA CON PLANA<br>.SCREW PAN HEAD     | 1    |  |  |  |                          |
| 8       | 5ML-E3475-00          | EMPAQUE<br>GASKET                                    | 1    |  |  |  |                          |
| 9       | 98507-05020           | TORNILLO DE CABEZA PLANA<br>SCREW, PAN HEAD          | 2    |  |  |  |                          |
| 10      | 5ML-E5351-20          | TAPON DE DRENAJE<br>PLUG, DRAIN                      | 1    |  |  |  |                          |
| 11      | 5ML-E3411-00          | FILTRO DE ACEITE<br>STRAINER, OIL                    | 1    |  |  |  |                          |
| 12      | 90501-16004           | RESORTE DE COMPRESION<br>SPRING, COMPRESSION         | 1    |  |  |  |                          |
| 13      | 93210-29800           | ANILLO O<br>O-RING                                   | 1    |  |  |  |                          |
|         |                       |  |      |  |  |  |                          |
|         |                       |  |      |  |  |  |                          |
|         |                       |  |      |  |  |  |                          |
|         |                       |  |      |  |  |  |                          |
|         |                       |  |      |  |  |  |                          |
|         |                       |  |      |  |  |  |                          |
|         |                       |  |      |  |  |  |                          |
|         |                       |  |      |  |  |  |                          |

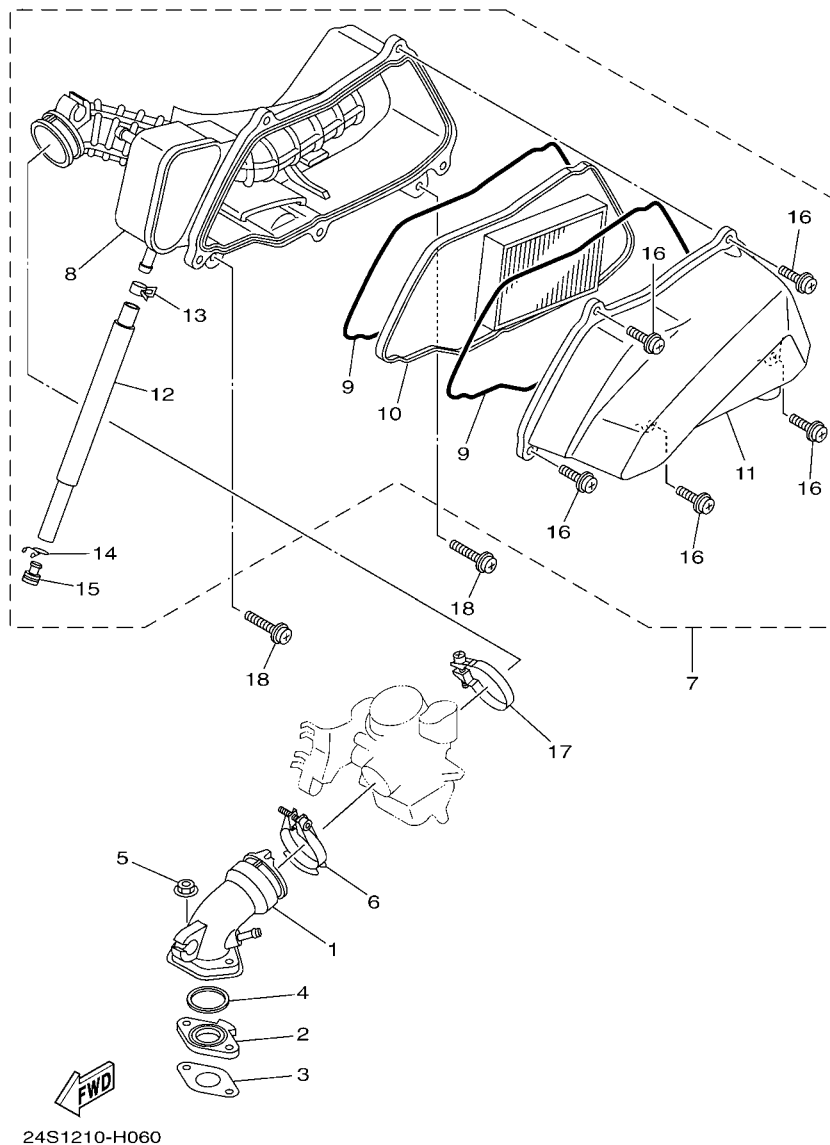
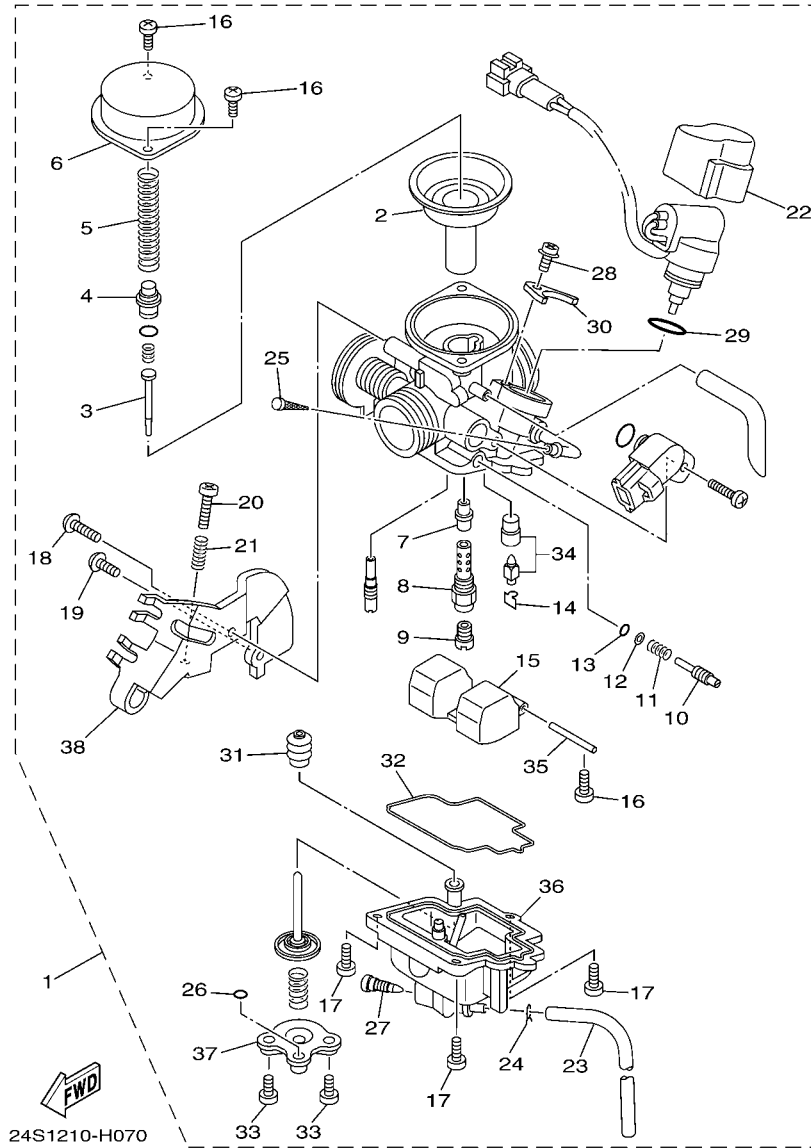


FIG. 6 ADMISION

INTAKE

| REF. N° | CODIGO N° PART NO. | DESCRIPCION DESCRIPTION                               | 24S1 |  |  |  | OBSERVACIONES REMARKS |
|---------|--------------------|---|------|--|--|--|-----------------------|
| 1       | 24P-E3585-00       | MULTIPLE MANIFOLD                                     | 1    |  |  |  |                       |
| 2       | 5ML-E3595-00       | TOBERA JOINT  | 1    |  |  |  |                       |
| 3       | 5ML-E3556-20       | EMPAQUE GASKET, MANIFOLD                              | 1    |  |  |  |                       |
| 4       | 93210-27800        | ANILLO O O-RING                                       | 1    |  |  |  |                       |
| 5       | 95707-06500        | TUERCA DE BRIDA NUT, FLANGE                           | 2    |  |  |  |                       |
| 6       | 5ML-E3474-00       | BANDA BAND  | 1    |  |  |  |                       |
| 7       | 24P-E4410-00       | FILTRO DE AIRE COMPLETO AIR CLEANER ASSY.             | 1    |  |  |  |                       |
| 8       | 24P-WE441-00       | .CAJA COMPLETO FILTRO DE AIRE .AIR CLEANER CASE COMP. | 1    |  |  |  |                       |
| 9       | 5S9-E4467-00       | .SELLO .SEAL  | 2    |  |  |  |                       |
| 10      | 5S9-E4451-00       | .ELEMENTO DEL FILTRO DEL AIRE .ELEMENT, AIR CLEANER   | 1    |  |  |  |                       |
| 11      | 5S9-WE442-00       | .ELEMENTO DE FILTRO DE AIRE .ELEMENT, AIR CLEANER     | 1    |  |  |  |                       |
| 12      | 5S9-E443E-00       | .TUBO, DRENAJE .PIPE, DRAIN                           | 1    |  |  |  |                       |
| 13      | 90467-13813        | .PRESILLA .CLIP                                       | 1    |  |  |  |                       |
| 14      | 90467-12052        | .PRESILLA .CLIP                                       | 1    |  |  |  |                       |
| 15      | 90338-11820        | .TAPON .PLUG  | 1    |  |  |  |                       |
| 16      | 97607-06220        | .TORNILLO CAB CON PLANA C/ARAN .SCREW,WITH WASHER     | 5    |  |  |  |                       |
| 17      | 5ML-E3575-00       | BANDA BAND  | 1    |  |  |  |                       |
| 18      | 97607-06230        | TORNILLO CAB CON PLANA C/ARAN SCREW,WITH WASHER       | 2    |  |  |  |                       |



24S1210-H070

FIG. 7 CARBURADOR

CARBURETOR

| REF. Nº | CODIGO Nº PART NO. | DESCRIPCION DESCRIPTION                                  | 24S1 |  |  |  | OBSERVACIONES REMARKS |
|---------|--------------------|--|------|--|--|--|-----------------------|
| 1       | 24P-E4901-00       | CARBURADOR COMPLETO 1<br>CARBURETOR ASSY 1               | 1    |  |  |  |                       |
| 2       | 24P-E4940-00       | .DIAFRAGMA COMPLETO<br>.DIAPHRAGM ASSY                   | 1    |  |  |  |                       |
| 3       | 5TY-E4916-00       | .AGUJA DE SURTIDOR<br>.NEEDLE                            | 1    |  |  |  |                       |
| 4       | 5TY-E4936-00       | .ASIENTO DE RESORTE<br>.SEAT, SPRING                     | 1    |  |  |  |                       |
| 5       | 24P-E4933-00       | .RESORTE DE DIAFRAGMA<br>.SPRING, DIAPHRAGM              | 1    |  |  |  |                       |
| 6       | 5TY-E4958-00       | .CUBIERTA DE DIAFRAGMA<br>.COVER, DIAPHRAGM              | 1    |  |  |  |                       |
| 7       | 5TY-E4947-00       | .INYECTOR DE AGUJA<br>.JET, NEEDLE                       | 1    |  |  |  |                       |
| 8       | 24P-E414G-00       | .AEUJA DE CARB.<br>.PIPE, MAIN BLEED                     | 1    |  |  |  |                       |
| 9       | 24P-E4943-28       | .INYECTOR PRINCIPAL (#105)<br>.JET, MAIN (#105)          | 1    |  |  |  |                       |
| 10      | 24P-E4211-00       | .TORNILLO DE AJUSTE DE PILOTO<br>.SCREW, PILOT ADJUSTING | 1    |  |  |  |                       |
| 11      | 4JH-14160-00       | .BOBINA<br>.COIL, SPRING                                 | 1    |  |  |  |                       |
| 12      | 3TJ-14952-40       | .ARANDELA<br>.WASHER                                     | 1    |  |  |  |                       |
| 13      | 3TJ-14562-40       | .ANILLO O<br>.O-RING                                     | 1    |  |  |  |                       |
| 14      | 663-14159-00       | .PRESILLA<br>.CLIP                                       | 1    |  |  |  |                       |
| 15      | 5TY-E4985-00       | .BOIA<br>.FLOAT  | 1    |  |  |  |                       |
| 16      | 688-14592-00       | .TORNILLO<br>.SCREW                                      | 3    |  |  |  |                       |
| 17      | 98502-04012        | .TORNILLO<br>.SCREW, PAN HEAD                            | 3    |  |  |  |                       |
| 18      | 5TY-E4245-00       | .TORNILLO DE GUIA<br>.SCREW, GUIDE                       | 1    |  |  |  |                       |
| 19      | 5TY-E4245-10       | .TORNILLO DE GUIA<br>.SCREW, GUIDE                       | 1    |  |  |  |                       |
| 20      | 5TY-E4922-00       | .TORNILLO DE OBTURADOR<br>.SCREW, THROTTLE               | 1    |  |  |  |                       |
| 21      | 5JG-14531-00       | .RESORTE TORNILLO AJUSTE<br>.SPRING, ADJUST SCREW        | 1    |  |  |  |                       |
| 22      | 5TY-E4967-00       | .CUBIERTA<br>.COVER                                      | 1    |  |  |  |                       |
| 23      | 24P-E4196-00       | .TUBO DE DRENASE<br>.PIPE                                | 1    |  |  |  |                       |
| 24      | 5BE-14937-00       | .PRESILLA<br>.CLIP                                       | 1    |  |  |  |                       |
| 25      | 5TY-E4994-00       | .FILTRO<br>.NET, FILTER                                  | 1    |  |  |  |                       |
| 26      | 3TJ-14536-40       | .EMPAQUE<br>.GASKET                                      | 1    |  |  |  |                       |
| 27      | 3TJ-14191-40       | .TORNILLO, DE DRENAJE<br>.PLUG, DRAIN                    | 1    |  |  |  |                       |





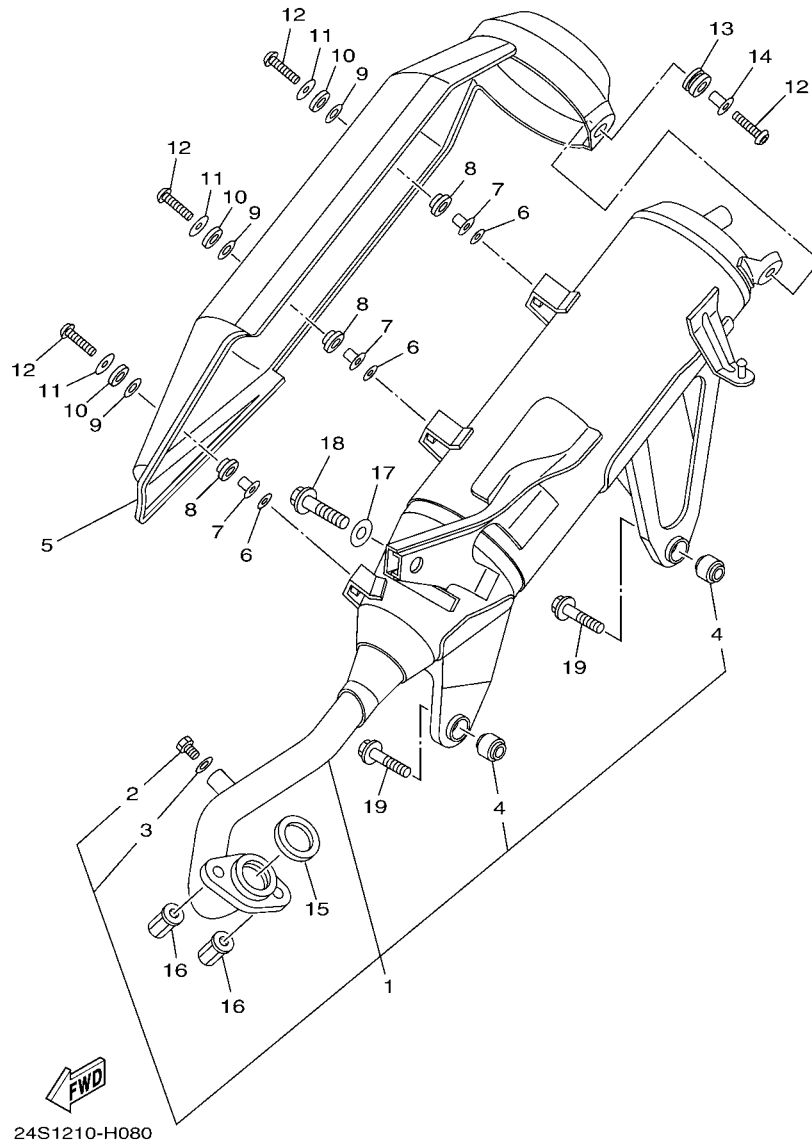


FIG. 8 DESCARGA

EXHAUST

| REF. N° | CODIGO N° PART NO. | DESCRIPCION DESCRIPTION                          | 24S1 |  |  | OBSERVACIONES REMARKS |
|---------|--------------------|--|------|--|--|-----------------------|
| 1       | 24P-E4610-00-98    | TUBO DE ESCAPE COMPLETO 1<br>EXHAUST PIPE ASSY 1 | 1    |  |  | LGB<br>LGB            |
| 2       | 97080-06008        | .PERNO<br>.BOLT                                  | 1    |  |  |                       |
| 3       | 92990-06600        | .ARANDELA PLANA<br>.WASHER, PLATE                | 1    |  |  |                       |
| 4       | 5ML-E4737-10       | .AMORTIGUADOR DE SILENCIADOR<br>.DAMPER, MUFFLER | 2    |  |  |                       |
| 5       | 24P-E4708-00       | PROTECTOR COMPLETA<br>PROTECTOR ASSY             | 1    |  |  |                       |
| 6       | 4CW-E4766-00       | ARANDELA DE PROTECTOR<br>WASHER, PROTECTOR       | 3    |  |  |                       |
| 7       | 5JS-E4779-00       | COLLAR<br>COLLAR                                 | 3    |  |  |                       |
| 8       | 5JS-E4445-00       | TAPON PROTECTOR<br>GROMMET                       | 3    |  |  |                       |
| 9       | 5JS-E4759-00       | ARANDELA<br>WASHER                               | 3    |  |  |                       |
| 10      | 5JS-E4617-00       | ARANDELA<br>WASHER                               | 3    |  |  |                       |
| 11      | 90201-06055        | ARANDELA PLANA<br>WASHER, PLATE                  | 3    |  |  |                       |
| 12      | 90111-06801        | TORNILLO<br>BOLT, HEX. SOCKET BUTTON             | 4    |  |  |                       |
| 13      | 90480-14810        | TAPON<br>GROMMET                                 | 1    |  |  |                       |
| 14      | 90387-061N6        | ESPACIADOR<br>COLLAR                             | 1    |  |  |                       |
| 15      | 4DH-14613-00       | JUNTA, TUBO DE ESCAPE<br>GASKET, EXHAUST PIPE    | 1    |  |  |                       |
| 16      | 90179-08804        | TUERCA<br>NUT                                    | 2    |  |  |                       |
| 17      | 90201-101J1        | ARANDELA PLANA<br>WASHER, PLATE                  | 1    |  |  |                       |
| 18      | 95817-10035        | TORNILLO<br>BOLT, FLANGE                         | 1    |  |  |                       |
| 19      | 90105-08835        | TORNILLO<br>BOLT, FLANGE                         | 2    |  |  |                       |

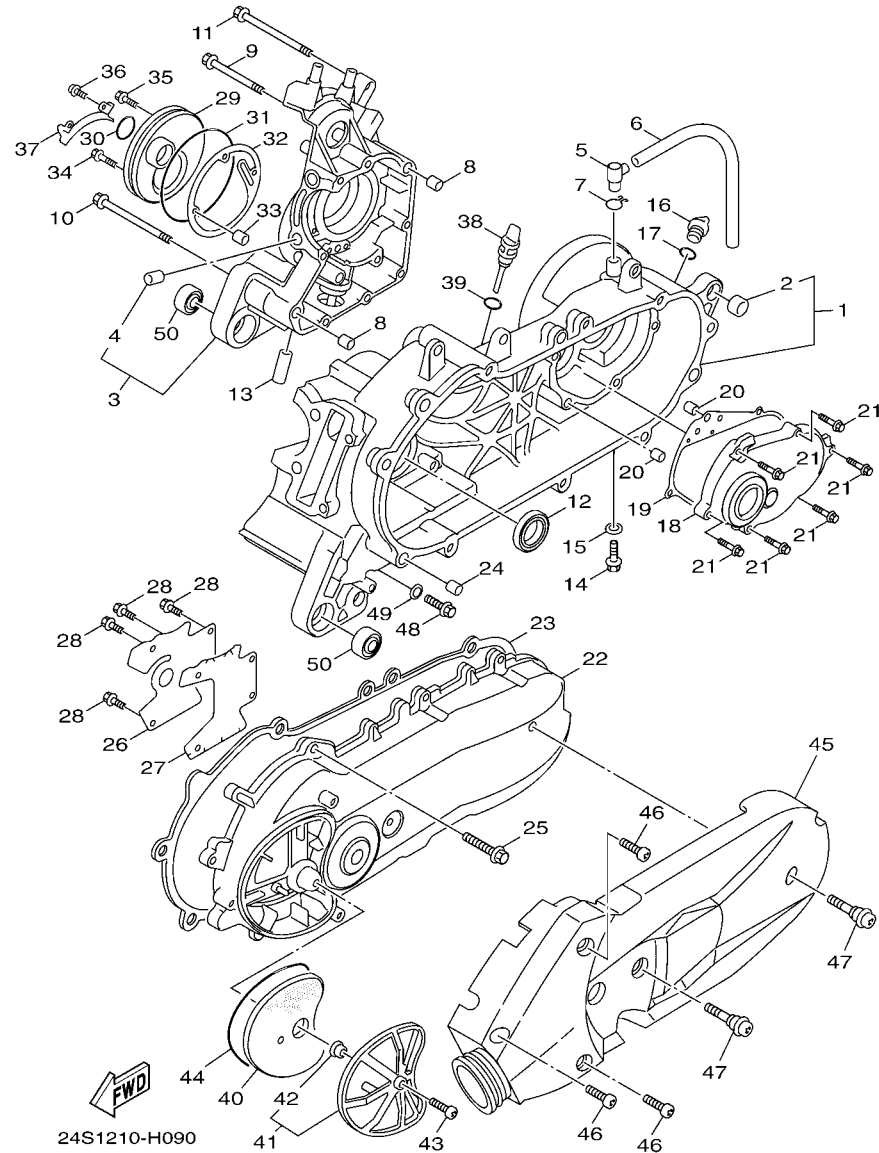


FIG. 9 CARTER

CRANKCASE

| REF. Nº | CODIGO Nº PART NO. | DESCRIPCION DESCRIPTION                                      | 24S1 |  |  |  | OBSERVACIONES REMARKS |
|---------|--------------------|--|------|--|--|--|-----------------------|
| 1       | 5S9-WE511-00       | CARTER, MANIVELA 1<br>CRANKCASE 1                            | 1    |  |  |  |                       |
| 2       | 4X6-F2216-00       | .BUJE DEL AMORTIGUADOR TRASERO<br>.BUSH, REAR SHOCK ABSORBER | 1    |  |  |  |                       |
| 3       | 5S9-WE512-00       | CARTER 2<br>CRANKCASE 2                                      | 1    |  |  |  |                       |
| 4       | 5ML-E5138-00       | .BOQUILLA 1<br>.NOZZLE 1                                     | 1    |  |  |  |                       |
| 5       | 5CA-E5371-00       | RESPIRADERO<br>BREATHER                                      | 1    |  |  |  |                       |
| 6       | 90446-13803        | TUBO RESEIRADERO<br>HOSE                                     | 1    |  |  |  |                       |
| 7       | 90467-12052        | PRESILLA<br>CLIP   | 1    |  |  |  |                       |
| 8       | 91810-14807        | PASADOR DE CLAVIJA<br>PIN, DOWEL                             | 2    |  |  |  |                       |
| 9       | 90105-06808        | TORNILLO<br>BOLT, FLANGE                                     | 6    |  |  |  |                       |
| 10      | 90105-06810        | TORNILLO<br>BOLT, FLANGE                                     | 1    |  |  |  |                       |
| 11      | 90105-06817        | TORNILLO<br>BOLT, FLANGE                                     | 1    |  |  |  |                       |
| 12      | 93102-22843        | SELLO ACEITE<br>OIL SEAL                                     | 1    |  |  |  |                       |
| 13      | 5ML-E3416-00       | TUBO DE ACEITE 1<br>PIPE, OIL 1                              | 1    |  |  |  |                       |
| 14      | 95817-08016        | TORNILLO<br>BOLT, FLANGE                                     | 1    |  |  |  |                       |
| 15      | 90430-08816        | JUNTA<br>GASKET  | 1    |  |  |  |                       |
| 16      | 4Y4-E5363-00       | TÁPÓN DE ACEITE<br>PLUG, OIL                                 | 1    |  |  |  |                       |
| 17      | 93210-14805        | ANILLO O<br>O-RING   | 1    |  |  |  |                       |
| 18      | 5S9-E5421-00       | TAPA DE CARTER DERECHA<br>COVER, CRANKCASE 2                 | 1    |  |  |  |                       |
| 19      | 5S9-E5461-00       | JUNTA TAPA CARTER DERECHO 2<br>GASKET, CRANKCASE COVER 2     | 1    |  |  |  |                       |
| 20      | 91810-14807        | PASADOR DE CLAVIJA<br>PIN, DOWEL                             | 2    |  |  |  |                       |
| 21      | 95027-06030        | PERNO, DE BRIDA<br>BOLT, FLANGE                              | 8    |  |  |  |                       |
| 22      | 24P-E5411-01       | CUBIERTA DE CARTER 1<br>COVER, CRANKCASE 1                   | 1    |  |  |  |                       |
| 23      | 5S9-E5451-10       | EMPAQ DE CUBIERTA DE CARTER<br>GASKET, CRANKCASE COVER 1     | 1    |  |  |  |                       |
| 24      | 91810-14807        | PASADOR DE CLAVIJA<br>PIN, DOWEL                             | 2    |  |  |  |                       |
| 25      | 95027-06025        | PERNO, DE BRIDA<br>BOLT, FLANGE                              | 9    |  |  |  |                       |
| 26      | 5ML-E5191-00       | PLACA<br>PLATE   | 1    |  |  |  |                       |
| 27      | 5ML-E5455-00       | EMPAQUE 1<br>GASKET 1  | 1    |  |  |  |                       |

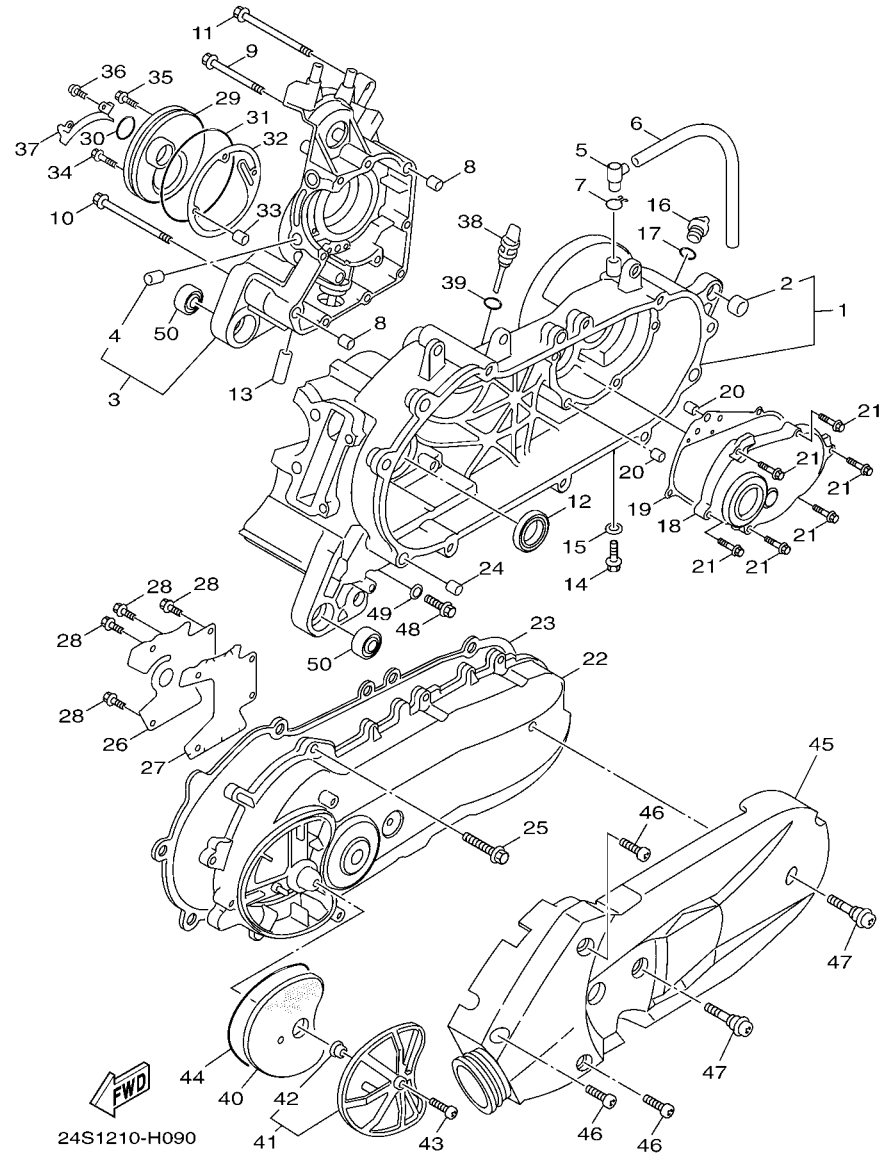
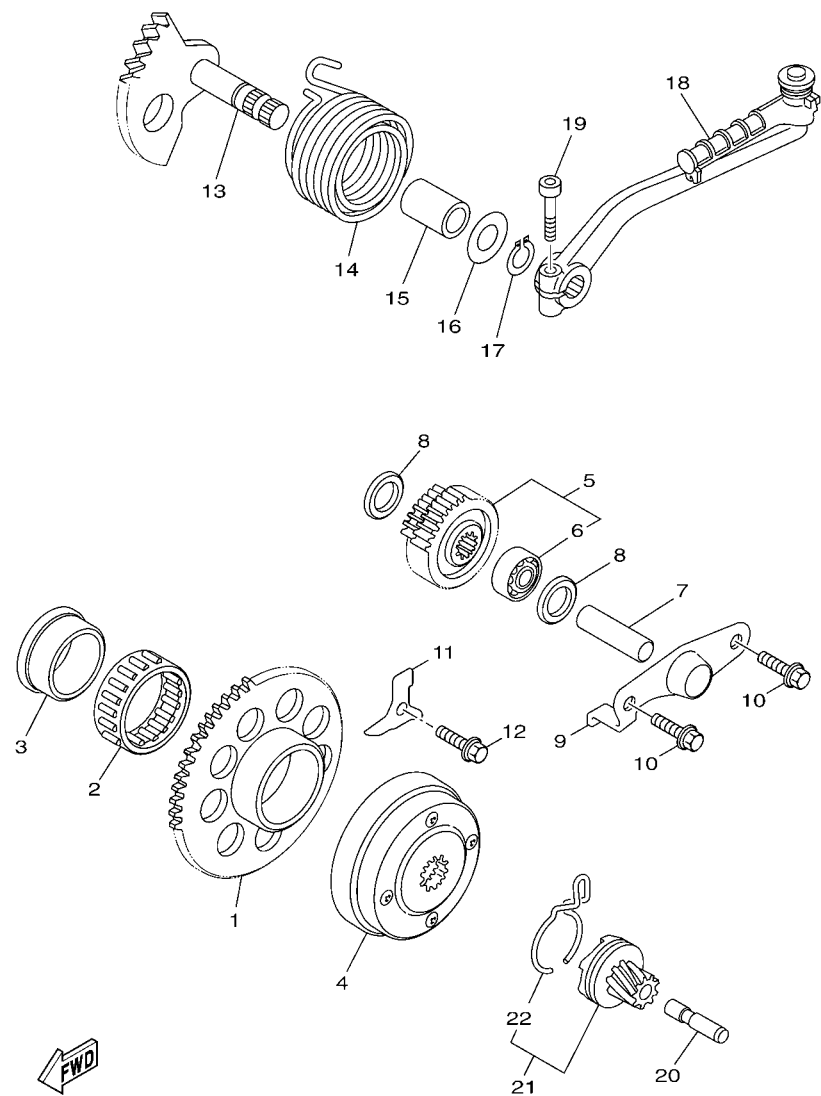


FIG. 9 CARTER

CRANKCASE

| REF. Nº | CODIGO Nº PART NO. | DESCRIPCION DESCRIPTION                      | 24S1 |  |  |  | OBSERVACIONES REMARKS |
|---------|--------------------|--|------|--|--|--|-----------------------|
| 28      | 95027-06010        | PERNO, DE BRIDA<br>BOLT, FLANGE              | 4    |  |  |  |                       |
| 29      | 5ML-E5417-00       | CUBIERTA DE TAPA<br>COVER, CAP               | 1    |  |  |  |                       |
| 30      | 93102-19293        | SELLO ACEITE<br>OIL SEAL                     | 1    |  |  |  |                       |
| 31      | 93211-07801        | ANILLO O<br>O-RING                           | 1    |  |  |  |                       |
| 32      | 5ML-E5453-00       | EMPAQ<br>GASKET                              | 1    |  |  |  |                       |
| 33      | 99480-05010        | PASADOR<br>PIN                               | 1    |  |  |  |                       |
| 34      | 90105-06809        | TORNILLO<br>BOLT, FLANGE                     | 2    |  |  |  |                       |
| 35      | 90105-06807        | TORNILLO<br>BOLT, FLANGE                     | 1    |  |  |  |                       |
| 36      | 90105-06806        | TORNILLO<br>BOLT, FLANGE                     | 1    |  |  |  |                       |
| 37      | 5ML-E5113-00       | PLACA<br>PLATE                               | 1    |  |  |  |                       |
| 38      | 5S9-E5362-00       | TAPON DEL NIVEL DE ACEITE<br>PLUG, OIL LEVEL | 1    |  |  |  |                       |
| 39      | 5ML-E3769-00       | ANILLO O<br>O-RING                           | 1    |  |  |  |                       |
| 40      | 5ML-E5407-00       | ELEMENTO 1<br>ELEMENT 1                      | 1    |  |  |  |                       |
| 41      | 5ML-E5404-00       | COJINETE DE RODILLOS<br>GUIDE, ELEMENT       | 1    |  |  |  |                       |
| 42      | 90387-06819        | .ESPACIADOR<br>.COLLAR                       | 1    |  |  |  |                       |
| 43      | 98907-06016        | TORNILLO DE LIGAR<br>SCREW, BIND             | 1    |  |  |  |                       |
| 44      | 5ML-E5472-00       | SELLO DE CONDUCTO DE AIRE<br>SEAL, AIR DUCT  | 1    |  |  |  |                       |
| 45      | 24P-XE543-00       | CUBIERTA DE CARTER 3<br>COVER, CRANKCASE 3   | 1    |  |  |  |                       |
| 46      | 98907-06020        | TORNILLO DE LIGAR<br>SCREW, BIND             | 3    |  |  |  |                       |
| 47      | 4DM-E5481-00       | PERNO 1<br>BOLT 1                            | 2    |  |  |  |                       |
| 48      | 90340-12802        | TORNILLO, DE DRENAJE<br>PLUG, STRAIGHT SCREW | 1    |  |  |  |                       |
| 49      | 90201-12172        | ARANDELA PLANA<br>WASHER, PLATE              | 1    |  |  |  |                       |
| 50      | 93306-003Y4        | COJINETE<br>BEARING                          | 2    |  |  |  |                       |

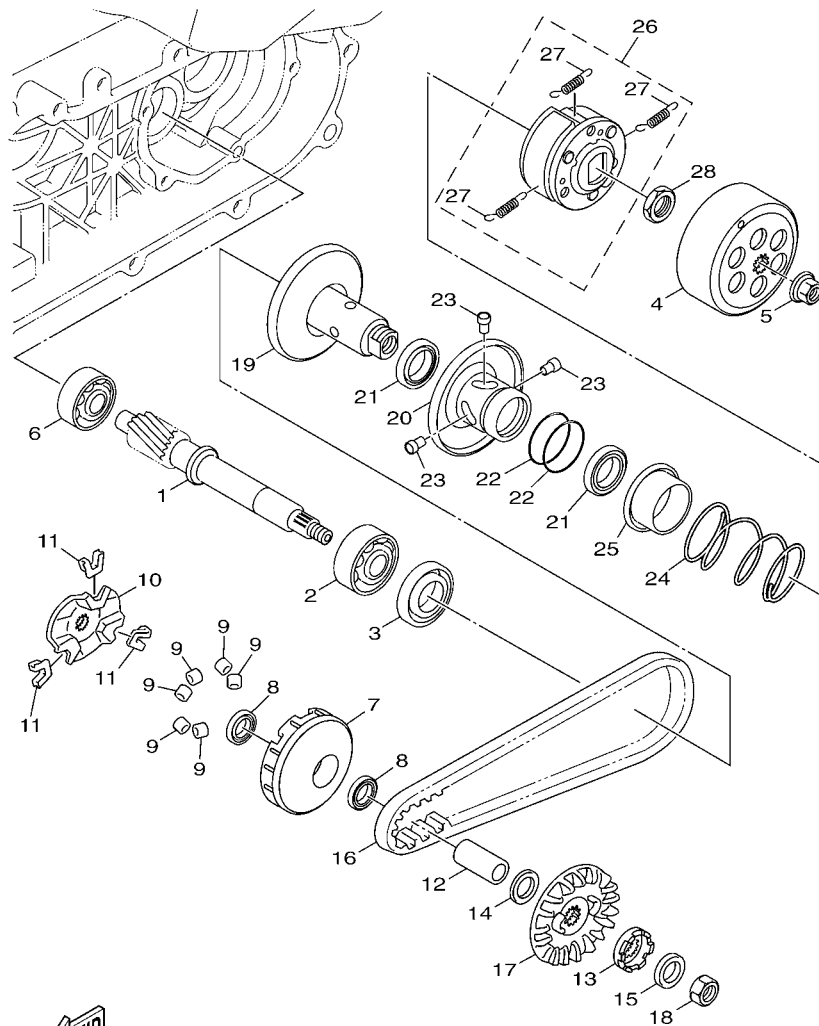


24S1210-H100

FIG. 10 ARRANQUE

STARTER

| REF. N° | CODIGO N° PART NO. | DESCRIPCION DESCRIPTION                            | 24S1 |  |  |  | OBSERVACIONES REMARKS |
|---------|--------------------|--|------|--|--|--|-----------------------|
| 1       | 5S9-E5524-00       | RUEDA DE ARRANQUE WHEEL, STARTER                   | 1    |  |  |  |                       |
| 2       | 93310-450X2        | COJINETE DE RODILLOS BEARING                       | 1    |  |  |  |                       |
| 3       | 5LW-E5538-00       | COPA 2 BOSS, GEAR 2                                | 1    |  |  |  |                       |
| 4       | 5TY-E5570-01       | EMBRAGUE DEL ARRANQUE COMPLETA STARTER CLUTCH ASSY | 1    |  |  |  |                       |
| 5       | 5S9-E5650-00       | ENGRENAJE NEUTRO COMPLETO IDLE GEAR ASSY           | 1    |  |  |  |                       |
| 6       | 93315-110Y6        | .COJINETE DE RODILLOS .BEARING                     | 1    |  |  |  |                       |
| 7       | 5CA-E5521-00       | EJE 1 SHAFT 1                                      | 1    |  |  |  |                       |
| 8       | 90201-108A3        | ARANDELA PLANA WASHER, PLATE                       | 2    |  |  |  |                       |
| 9       | 5S9-E5532-00       | PLACA DE ENGRENAGE NEUTRO PLATE, IDLE GEAR         | 1    |  |  |  |                       |
| 10      | 95027-06012        | PERNO, DE BRIDA BOLT, FLANGE                       | 2    |  |  |  |                       |
| 11      | 5TY-E5645-00       | CUNA EJE PEDAL ARRANQUE SHIM, KICK SHAFT           | 1    |  |  |  |                       |
| 12      | 95027-06012        | PERNO, DE BRIDA BOLT, FLANGE                       | 1    |  |  |  |                       |
| 13      | 5ML-E5601-00       | EJE DE ARR. DE PIE COMPL KICK SHAFT ASSY           | 1    |  |  |  |                       |
| 14      | 90508-32609        | RESORTE DE TORSION SPRING, TORSION                 | 1    |  |  |  |                       |
| 15      | 90380-15817        | CASQUILLO SOLIDO BUSH, SOLID                       | 1    |  |  |  |                       |
| 16      | 90201-155G5        | ARANDELA PLANA WASHER, PLATE                       | 1    |  |  |  |                       |
| 17      | 99009-15400        | PRESILLA REDONDA CIRCLIP                           | 1    |  |  |  |                       |
| 18      | 5ML-E5620-00       | PEDAL DE ARRANQUE COMPLETO KICK CRANK ASSY         | 1    |  |  |  |                       |
| 19      | 91317-06030        | PERNO BOLT   | 1    |  |  |  |                       |
| 20      | 5ML-E5659-00       | EJE SHAFT  | 1    |  |  |  |                       |
| 21      | 5ML-E5670-00       | PINON DE PEDAL COMPLETA 2 KICK PINION ASSY 2       | 1    |  |  |  |                       |
| 22      | 5ML-E5673-00       | .PRESILLA .CLIP                                    | 1    |  |  |  |                       |



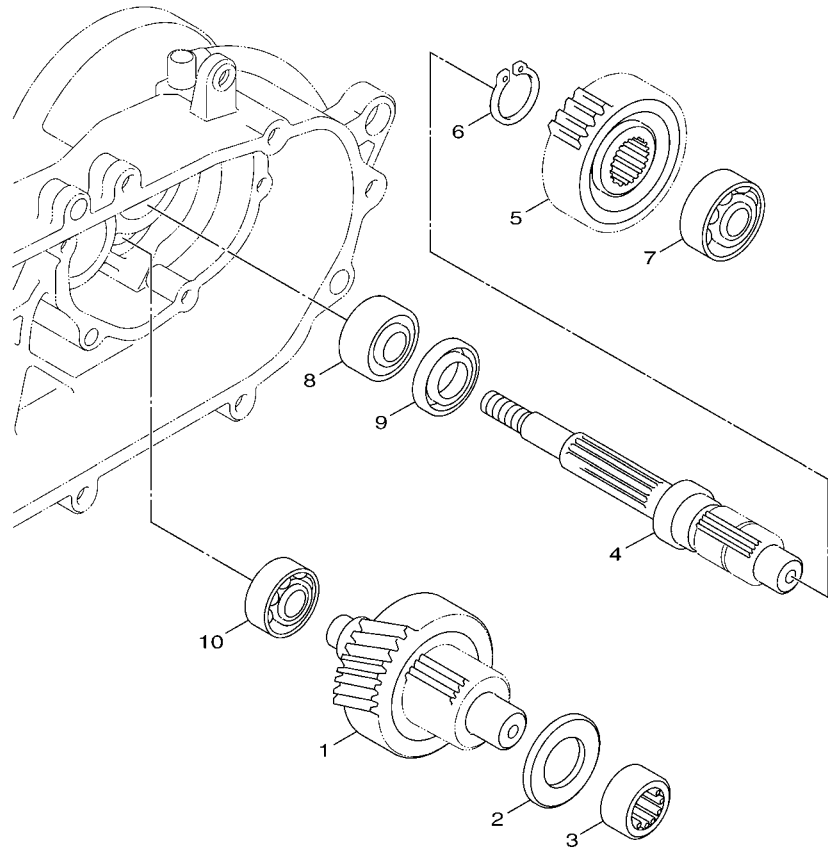
24S1210-H110

FIG. 11 EMBRAGUE

CLUTCH

| REF. Nº | CODIGO Nº<br>PART NO. | DESCRIPCION<br>DESCRIPTION                                     | 24S1 |  |  |  | OBSERVACIONES<br>REMARKS |
|---------|-----------------------|--|------|--|--|--|--------------------------|
| 1       | 5CA-E6111-01          | ENGRANAJE TRACC.PRIMARIA<br>GEAR, PRIMARY DRIVE                | 1    |  |  |  |                          |
| 2       | 93306-272X0           | COJINETE<br>BEARING  | 1    |  |  |  |                          |
| 3       | 93102-22800           | SELLO ACEITE<br>OIL SEAL                                       | 1    |  |  |  |                          |
| 4       | 4CW-E6611-00          | CAJA DE EMBRAGUE COMPLETO<br>CLUTCH HOUSING COMP.              | 1    |  |  |  |                          |
| 5       | 90179-14427           | TUERCA<br>NUT  | 1    |  |  |  |                          |
| 6       | 93306-203YS           | COJINETE<br>BEARING  | 1    |  |  |  |                          |
| 7       | 5ML-E7620-02          | ROLDANA PRIMARIA MOVIL<br>PRIMARY SLIDING SHEAVE COMP.         | 1    |  |  |  |                          |
| 8       | 93101-21170           | SELLO ACEITE<br>OIL SEAL                                       | 2    |  |  |  |                          |
| 9       | 24P-E7632-00          | CONTRAPESO<br>WEIGHT   | 6    |  |  |  |                          |
| 10      | 5ML-E7623-00          | LEVA<br>CAM  | 1    |  |  |  |                          |
| 11      | 4CW-E7653-00          | CORREDERA<br>SLIDER  | 3    |  |  |  |                          |
| 12      | 90387-16801           | ESPACIADOR<br>COLLAR   | 1    |  |  |  |                          |
| 13      | 5ML-E5657-00          | EMBRAGUE SIN RETORNO<br>CLUTCH, ONEWAY                         | 1    |  |  |  |                          |
| 14      | 90208-12050           | ARANDELA DE RESORTE CONICO<br>WASHER, CONICAL SPRING           | 1    |  |  |  |                          |
| 15      | 90201-168S9           | ARANDELA PLANA<br>WASHER, PLATE                                | 1    |  |  |  |                          |
| 16      | 5S9-E7641-00          | CORREA EN V<br>V-BELT  | 1    |  |  |  |                          |
| 17      | 4HP-E7611-00          | PISCO FIXADOR DE POREA<br>SHEAVE, PRIMARY FIXED                | 1    |  |  |  |                          |
| 18      | 95307-12700           | TUERCA<br>NUT  | 1    |  |  |  |                          |
| 19      | 4CW-E7660-01          | ROLDANA SECUNDARIA FIJA COMPL.<br>SECONDARY FIXED SHEAVE COMP. | 1    |  |  |  |                          |
| 20      | 5S9-E7670-00          | ROLDANA SECUNDARIA CORREDIZA<br>SECONDARY SLIDING SHEAVE       | 1    |  |  |  |                          |
| 21      | 93104-41119           | SELLO ACEITE<br>OIL SEAL                                       | 2    |  |  |  |                          |
| 22      | 93210-43800           | ANILLO O<br>O-RING   | 2    |  |  |  |                          |
| 23      | 4CW-E7664-00          | PASADOR DE GUIA<br>PIN, GUIDE                                  | 3    |  |  |  |                          |
| 24      | 90501-45801           | RESORTE DE COMPRESION<br>SPRING, COMPRESSION                   | 1    |  |  |  |                          |
| 25      | 5TY-E7644-01          | ASIENTO DE RESORTE<br>SEAT, SPRING                             | 1    |  |  |  |                          |
| 26      | 1P5-E6620-01          | PORTADOR DE EMBRAGUE COMPLETO<br>CLUTCH CARRIER ASSY           | 1    |  |  |  |                          |
| 27      | 1P5-E6626-00          | .RESORTE CONTRAPESO EMBRAGUE 1<br>.SPRING, CLUTCH WEIGHT 1     | 3    |  |  |  |                          |





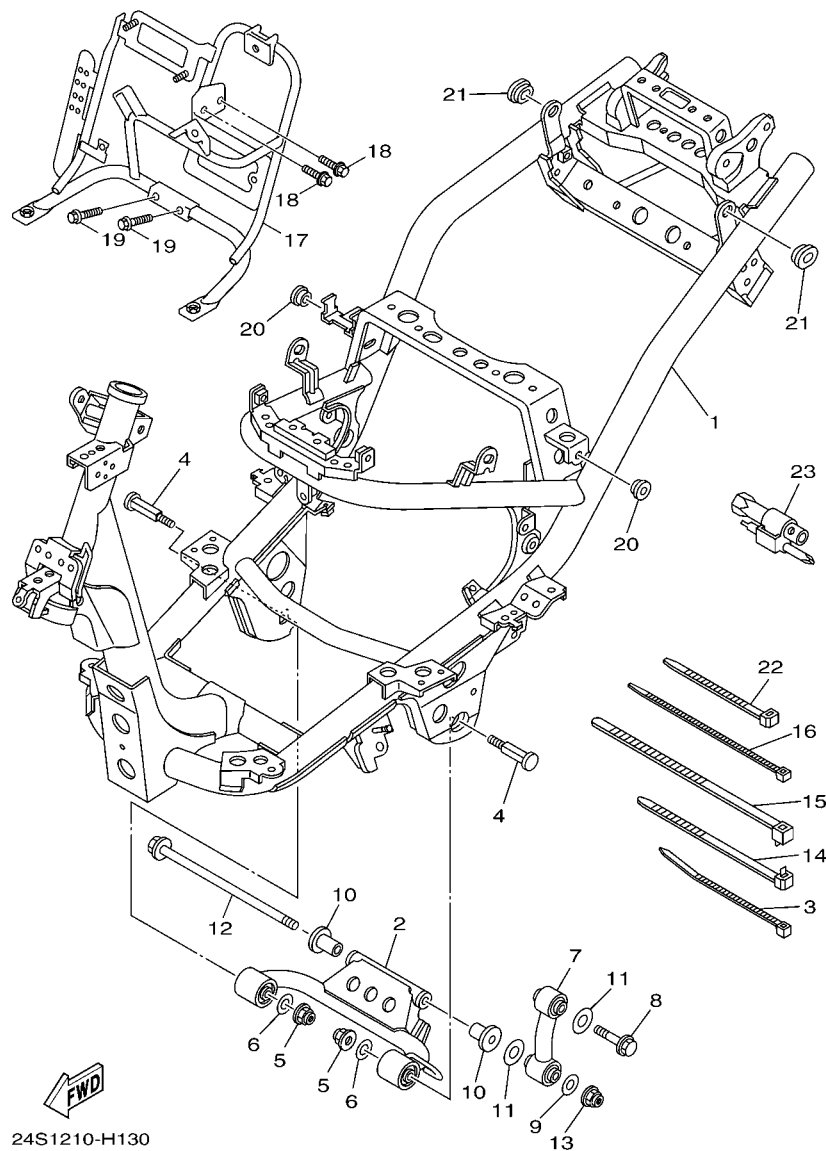
  
 24S1210-H120

FIG. 12 TRANSMISION

TRANSMISION

| REF. Nº | CODIGO Nº PART NO. | DESCRIPCION DESCRIPTION                                    | 24S1 |  |  |  | OBSERVACIONES REMARKS |
|---------|--------------------|--|------|--|--|--|-----------------------|
| 1       | 5S9-E7410-00       | EJE PRINCIPAL COMPLETO(11/40T)<br>MAIN AXLE COMP. (11/40T) | 1    |  |  |  |                       |
| 2       | 90201-15830        | ARANDELA PLANA<br>WASHER, PLATE                            | 1    |  |  |  |                       |
| 3       | 93311-315Y2        | COJINETE DE RODILLOS<br>BEARING                            | 1    |  |  |  |                       |
| 4       | 5S9-E7421-00       | EJE SECUNDARIO<br>AXLE, DRIVE                              | 1    |  |  |  |                       |
| 5       | 5S9-E7211-00       | ENGRANAJE RUEDA DE 1 RA (44T)<br>GEAR, 1ST WHEEL (44T)     | 1    |  |  |  |                       |
| 6       | 99009-25400        | PRÉSILLA REDONDA<br>CIRCLIP                                | 1    |  |  |  |                       |
| 7       | 93306-303Y8        | COJINETE<br>BEARING  | 1    |  |  |  |                       |
| 8       | 93306-272Y0        | COJINETE<br>BEARING  | 1    |  |  |  |                       |
| 9       | 93102-32800        | SELLO ACEITE<br>OIL SEAL                                   | 1    |  |  |  |                       |
| 10      | 93306-301YL        | COJINETE<br>BEARING  | 1    |  |  |  |                       |





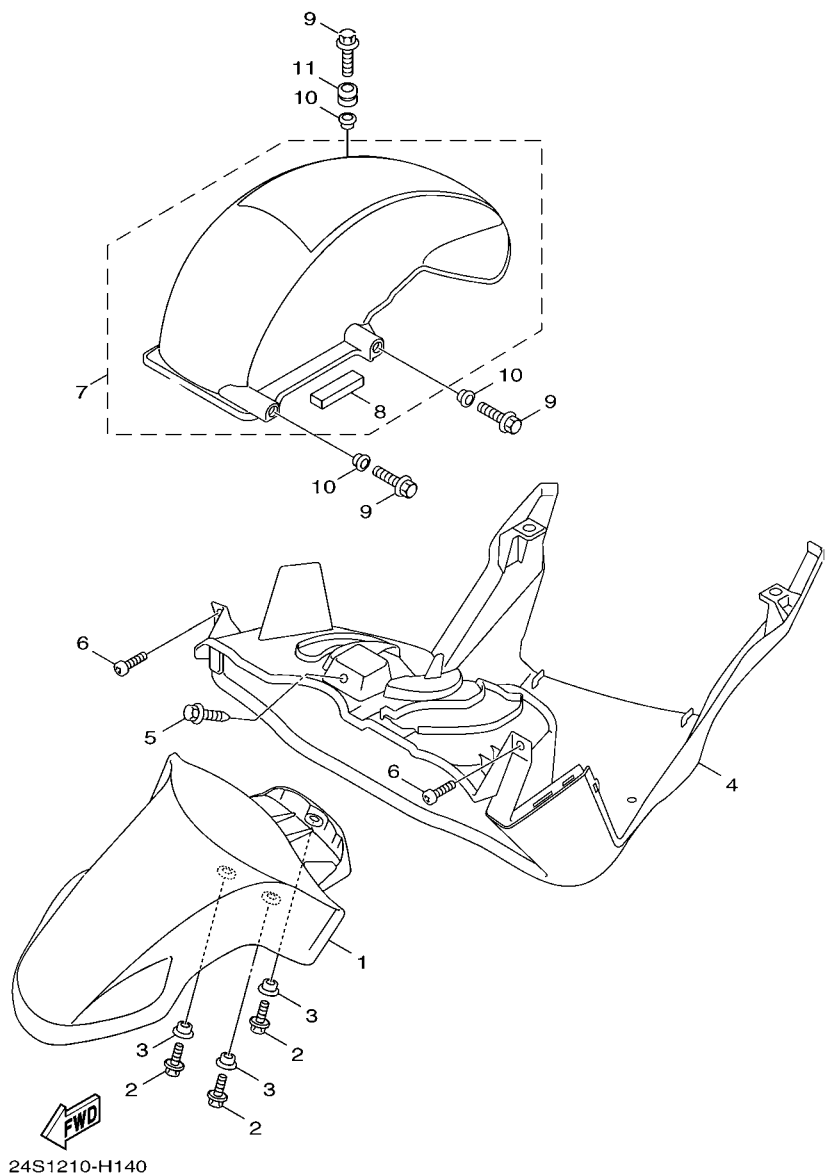
24S1210-H130

FIG. 13 CUADRO

FRAME

| REF. N° | CODIGO N° PART NO. | DESCRIPCION DESCRIPTION                                | 24S1 |  |  |  | OBSERVACIONES REMARKS |
|---------|--------------------|--|------|--|--|--|-----------------------|
| 1       | 24P-F1110-00-7M    | ARMAZON COMPLETO<br>FRAME COMP.                        | 1    |  |  |  | MDS<br>MDS            |
| 2       | 5S9-F1420-00       | SOPORTE DE MOTOR COMPLETO<br>ENGINE BRACKET COMP. 2    | 1    |  |  |  |                       |
| 3       | 90464-40801        | BRIDA<br>CLAMP   | 1    |  |  |  |                       |
| 4       | 3UH-F1481-00       | PERNO DE MONTAJE DE MOTOR 1<br>BOLT, ENGINE MOUNTING 1 | 2    |  |  |  |                       |
| 5       | 90185-10801        | TUERCA AUTOBLOCANTE<br>NUT, SELF-LOCKING               | 2    |  |  |  |                       |
| 6       | 90201-105A2        | ARANDELA PLANA<br>WASHER, PLATE                        | 2    |  |  |  |                       |
| 7       | 5ML-F1480-10       | SOPORTE DE MOTOR<br>STAY, ENGINE                       | 1    |  |  |  |                       |
| 8       | 5S9-F1482-00       | PERNO DE MONTAJE DE MOTOR 2<br>BOLT, ENGINE MOUNTING 2 | 1    |  |  |  |                       |
| 9       | 90201-105A2        | ARANDELA PLANA<br>WASHER, PLATE                        | 1    |  |  |  |                       |
| 10      | 5ML-F1544-01       | COLLAR 1<br>COLLAR 1                                   | 2    |  |  |  |                       |
| 11      | 90202-15803        | ARANDELA DE PLANA<br>WASHER, PLATE                     | 2    |  |  |  |                       |
| 12      | 5ML-F1481-00       | PERNO DE MONTAJE DE MOTOR 1<br>BOLT, ENGINE MOUNTING 1 | 1    |  |  |  |                       |
| 13      | 90185-10801        | TUERCA AUTOBLOCANTE<br>NUT, SELF-LOCKING               | 1    |  |  |  |                       |
| 14      | 90464-12812        | BRIDA<br>CLAMP   | 2    |  |  |  |                       |
| 15      | 90464-20809        | BRIDA<br>CLAMP   | 1    |  |  |  |                       |
| 16      | 90464-60800        | BRIDA<br>CLAMP   | 1    |  |  |  |                       |
| 17      | 5S9-F128A-00       | MENSULA DE REGULADOR<br>BRACKET, REGULATOR             | 1    |  |  |  |                       |
| 18      | 95807-06010        | TORNILLO<br>BOLT, FLANGE                               | 2    |  |  |  |                       |
| 19      | 95817-08030        | TORNILLO<br>BOLT, FLANGE                               | 2    |  |  |  |                       |
| 20      | 90480-13814        | TAPON<br>GROMMET                                       | 2    |  |  |  |                       |
| 21      | 90480-01558        | TAPON<br>GROMMET                                       | 4    |  |  |  |                       |
| 22      | 90464-15840        | BRIDA<br>CLAMP   | 1    |  |  |  |                       |
| 23      | 4CW-F8100-00       | JUEGO DE HERRAMIENTAS<br>TOOL KIT                      | 1    |  |  |  |                       |

**FIG. 14 GUARDABARRO DELANTERO FRONT FENDER**



| REF. Nº | CODIGO Nº<br>PART NO. | DESCRIPCION<br>DESCRIPTION                 | 24S1 |  |  |  | OBSERVACIONES<br>REMARKS |
|---------|-----------------------|--|------|--|--|--|--------------------------|
| 1       | 5S9-F1511-00          | GUARDABARRO DELANTERO<br>FENDER, FRONT     | 1    |  |  |  |                          |
| 2       | 90119-06821           | TORNILLO CON ARANDELA<br>BOLT, WITH WASHER | 3    |  |  |  |                          |
| 3       | 90387-068F8           | ESPACIADOR<br>COLLAR                       | 3    |  |  |  |                          |
| 4       | 5S9-F1552-00          | GUARDABARRO<br>FENDER, INNER               | 1    |  |  |  |                          |
| 5       | 90119-06821           | TORNILLO CON ARANDELA<br>BOLT, WITH WASHER | 1    |  |  |  |                          |
| 6       | 97707-50016           | TORNILLO<br>SCREW, TRUSS HEAD TAPPING      | 2    |  |  |  |                          |
| 7       | 5S9-XF161-00          | GUARDABARRO TRASERO<br>FENDER, REAR        | 1    |  |  |  |                          |
| 8       | 5CA-F1639-00          | .AMORTIGUADOR 2<br>.DAMPER 2               | 1    |  |  |  |                          |
| 9       | 95807-06016           | TORNILLO<br>BOLT, FLANGE                   | 3    |  |  |  |                          |
| 10      | 90387-06868           | ESPACIADOR<br>COLLAR                       | 3    |  |  |  |                          |
| 11      | 90480-12813           | TAPON<br>GROMMET                           | 1    |  |  |  |                          |
| -----   |                       |  |      |  |  |  |                          |
| -----   |                       |  |      |  |  |  |                          |
| -----   |                       |  |      |  |  |  |                          |
| -----   |                       |  |      |  |  |  |                          |
| -----   |                       |  |      |  |  |  |                          |
| -----   |                       |  |      |  |  |  |                          |
| -----   |                       |  |      |  |  |  |                          |

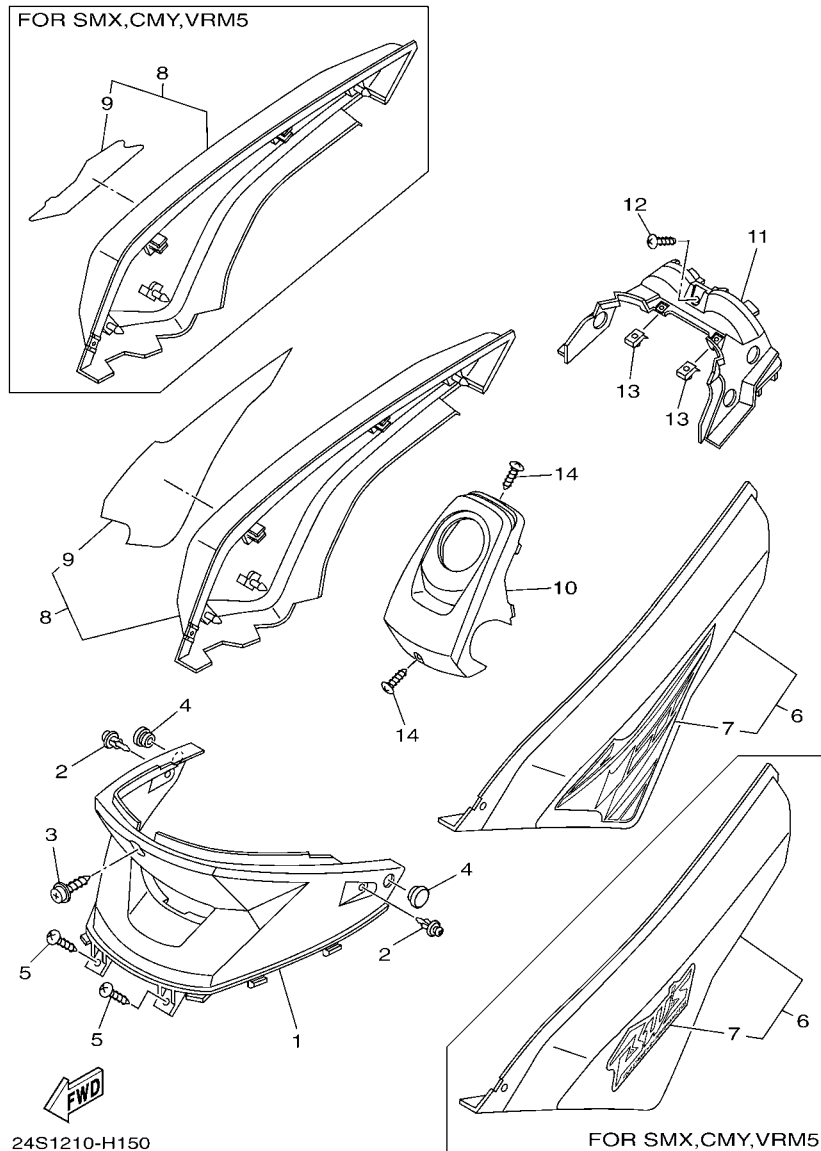
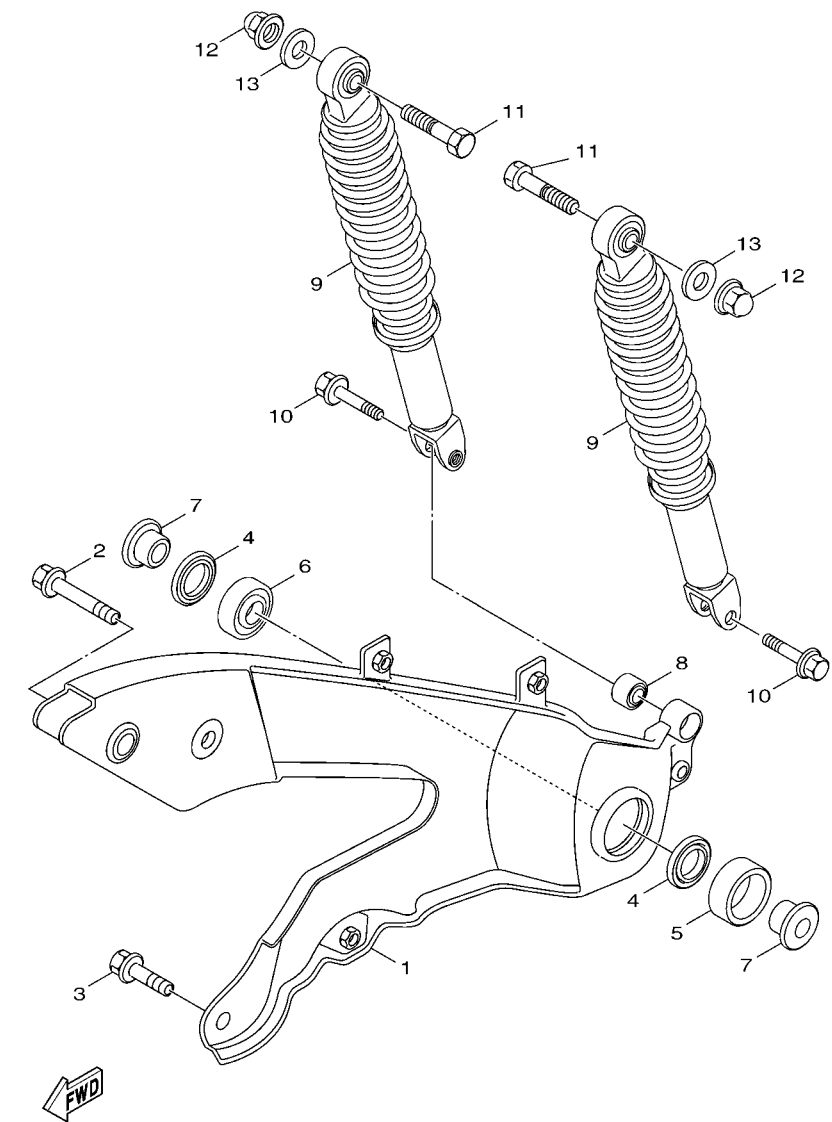


FIG. 15 CUBIERTA LATERAL

SIDE COVER

| REF. Nº | CODIGO Nº PART NO. | DESCRIPCION DESCRIPTION                | 24S1 |  |  |  | OBSERVACIONES REMARKS |
|---------|--------------------|--|------|--|--|--|-----------------------|
| 1       | 5S9-F1711-00       | CUBIERTA LATERAL 1 COVER, SIDE 1       | 1    |  |  |  |                       |
| 2       | 90269-06806        | REMACHE RIVET                          | 2    |  |  |  |                       |
| 3       | 90159-06812        | TORNILLO CON VALONA SCREW, WITH WASHER | 1    |  |  |  |                       |
| 4       | 4DH-F6199-01       | TAPON PLUG, BLIND                      | 2    |  |  |  |                       |
| 5       | 97707-50012        | TORNILLO SCREW, TRUSS HEAD TAPPING     | 2    |  |  |  |                       |
| 6       | 5S9-XF172-00-P4    | TAPA LTERAL 2 COVER, SIDE 2            | 1    |  |  |  | UR PARA DPBMC         |
|         | 5S9-XF172-10-P0    | TAPA LTERAL 2 COVER, SIDE 2            | 1    |  |  |  | UR FOR DPBMC          |
|         | 5S9-XF172-10-AL    | TAPA LTERAL 2 COVER, SIDE 2            | 1    |  |  |  | UR PARA SMX           |
|         | 5S9-XF172-10-P0    | TAPA LTERAL 2 COVER, SIDE 2            | 1    |  |  |  | UR FOR SMX            |
|         | 5S9-XF172-00-P5    | TAPA LTERAL 2 COVER, SIDE 2            | 1    |  |  |  | UR PARA CMY           |
|         | 5S9-XF172-00-P5    | TAPA LTERAL 2 COVER, SIDE 2            | 1    |  |  |  | UR FOR CMY            |
| 7       | 24P-F1782-00       | .EMBLEMA 2 .EMBLEM 2                   | 1    |  |  |  | UR PARA VRM5          |
|         | 24P-F1782-00       | .EMBLEMA 2 .EMBLEM 2                   | 1    |  |  |  | UR FOR VRM5           |
|         | 24S-F1781-00       | .EMBLEMA 1 .EMBLEM 1                   | 1    |  |  |  | UR PARA DPBMC         |
|         | 24S-F1781-10       | .EMBLEMA 1 .EMBLEM 1                   | 1    |  |  |  | UR PARA SMX           |
|         | 24S-F1781-20       | .EMBLEMA 1 .EMBLEM 1                   | 1    |  |  |  | UR FOR SMX            |
|         | 24S-F1781-10       | .EMBLEMA 1 .EMBLEM 1                   | 1    |  |  |  | UR PARA CMY           |
|         | 24S-F1781-20       | .EMBLEMA 1 .EMBLEM 1                   | 1    |  |  |  | UR FOR CMY            |
|         | 24S-F1781-10       | .EMBLEMA 1 .EMBLEM 1                   | 1    |  |  |  | UR PARA VRM5          |
|         | 24S-F1781-20       | .EMBLEMA 1 .EMBLEM 1                   | 1    |  |  |  | UR FOR VRM5           |
| 8       | 5S9-XF173-00-P4    | TAPA LATERAL 3 COVER, SIDE 3           | 1    |  |  |  | UR PARA DPBMC         |
|         | 5S9-XF173-10-P0    | TAPA LATERAL 3 COVER, SIDE 3           | 1    |  |  |  | UR PARA SMX           |
|         | 5S9-XF173-10-AL    | TAPA LATERAL 3 COVER, SIDE 3           | 1    |  |  |  | UR FOR SMX            |
|         | 5S9-XF173-10-AL    | TAPA LATERAL 3 COVER, SIDE 3           | 1    |  |  |  | UR PARA CMY           |
|         | 5S9-XF173-10-AL    | TAPA LATERAL 3 COVER, SIDE 3           | 1    |  |  |  | UR FOR CMY            |
|         | 5S9-XF173-00-P5    | TAPA LATERAL 3 COVER, SIDE 3           | 1    |  |  |  | UR PARA VRM5          |
|         | 5S9-XF173-00-P5    | TAPA LATERAL 3 COVER, SIDE 3           | 1    |  |  |  | UR FOR VRM5           |
| 9       | 24P-F1783-00       | .EMBLEMA 3 .EMBLEM 3                   | 1    |  |  |  | UR PARA DPBMC         |
|         | 24P-F1783-00       | .EMBLEMA 3 .EMBLEM 3                   | 1    |  |  |  | UR FOR DPBMC          |
|         | 24S-F1781-00       | .EMBLEMA 1 .EMBLEM 1                   | 1    |  |  |  | UR PARA SMX           |
|         | 24S-F1781-10       | .EMBLEMA 1 .EMBLEM 1                   | 1    |  |  |  | UR FOR SMX            |
|         | 24S-F1781-20       | .EMBLEMA 1 .EMBLEM 1                   | 1    |  |  |  | UR PARA CMY           |
|         | 24S-F1781-10       | .EMBLEMA 1 .EMBLEM 1                   | 1    |  |  |  | UR FOR CMY            |
|         | 24S-F1781-20       | .EMBLEMA 1 .EMBLEM 1                   | 1    |  |  |  | UR PARA VRM5          |
|         | 24S-F1781-20       | .EMBLEMA 1 .EMBLEM 1                   | 1    |  |  |  | UR FOR VRM5           |
| 10      | 5S9-F1741-00       | CUBIERTA LATERAL 4 COVER, SIDE 4       | 1    |  |  |  |                       |
| 11      | 5S9-F171E-00       | CUBIERTA LATERAL 5 COVER, SIDE 5       | 1    |  |  |  |                       |
| 12      | 97707-50012        | TORNILLO SCREW, TRUSS HEAD TAPPING     | 1    |  |  |  |                       |
| 13      | 90183-05807        | TUERCA DE RESORTE NUT, SPRING          | 2    |  |  |  |                       |
| 14      | 97707-50012        | TORNILLO SCREW, TRUSS HEAD TAPPING     | 2    |  |  |  |                       |

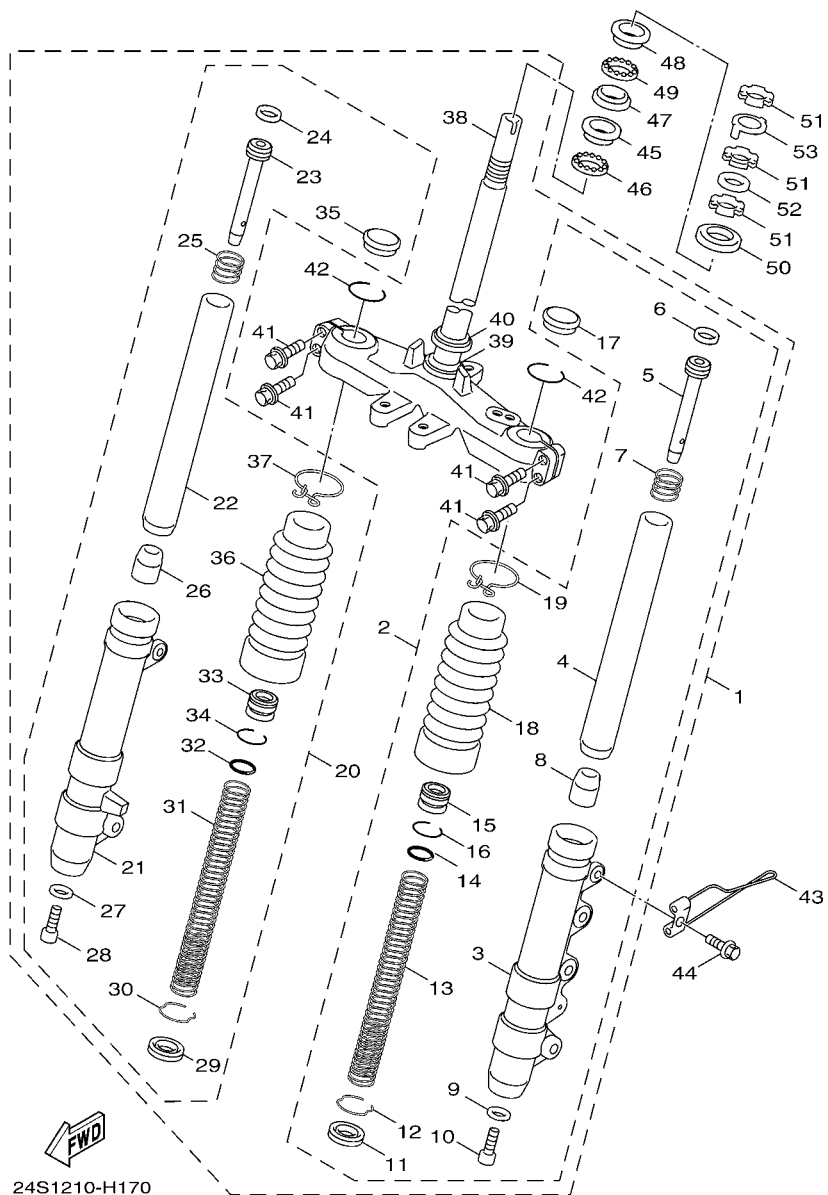
**FIG. 16 BRAZO TRASERO & SUSPENSION REAR ARM & SUSPENSION**



24S1210-H160

| REF. Nº | CODIGO Nº PART NO. | DESCRIPCION DESCRIPTION                                    | 24S1 |  |  |  | OBSERVACIONES REMARKS |
|---------|--------------------|--|------|--|--|--|-----------------------|
| 1       | 5S9-F2110-01       | BRAZO TRASERO COMPLETO<br>REAR ARM COMP.                   | 1    |  |  |  |                       |
| 2       | 95827-08045        | TORNILLO<br>BOLT, FLANGE                                   | 1    |  |  |  |                       |
| 3       | 95827-08025        | TORNILLO<br>BOLT, FLANGE                                   | 1    |  |  |  |                       |
| 4       | 93106-20813        | SELLO ACEITE<br>OIL SEAL                                   | 2    |  |  |  |                       |
| 5       | 3UH-F2184-00       | BUJE<br>BUSH   | 1    |  |  |  |                       |
| 6       | 93306-202X1        | COJINETE<br>BEARING  | 1    |  |  |  |                       |
| 7       | 5S9-F5315-00       | SEPARADOR<br>FLANGE, SPACER                                | 2    |  |  |  |                       |
| 8       | 4X6-F2216-00       | BUJE DEL AMORTIGUADOR TRASERO<br>BUSH, REAR SHOCK ABSORBER | 1    |  |  |  |                       |
| 9       | 24P-F2210-00       | AMORTIGUADOR TRASERO COMPLETO<br>SHOCK ABSORBER ASSY, REAR | 2    |  |  |  |                       |
| 10      | 90105-08121        | TORNILLO<br>BOLT, FLANGE                                   | 2    |  |  |  |                       |
| 11      | 90101-10875        | TORNILLO<br>BOLT   | 2    |  |  |  |                       |
| 12      | 95307-10800        | TUERCA<br>NUT  | 2    |  |  |  |                       |
| 13      | 90201-101J1        | ARANDELA PLANA<br>WASHER, PLATE                            | 2    |  |  |  |                       |
|         |                    |  |      |  |  |  |                       |
|         |                    |  |      |  |  |  |                       |
|         |                    |  |      |  |  |  |                       |
|         |                    |  |      |  |  |  |                       |
|         |                    |  |      |  |  |  |                       |

FIG. 17 HORQUILLA DELANTERA FRONT FORK

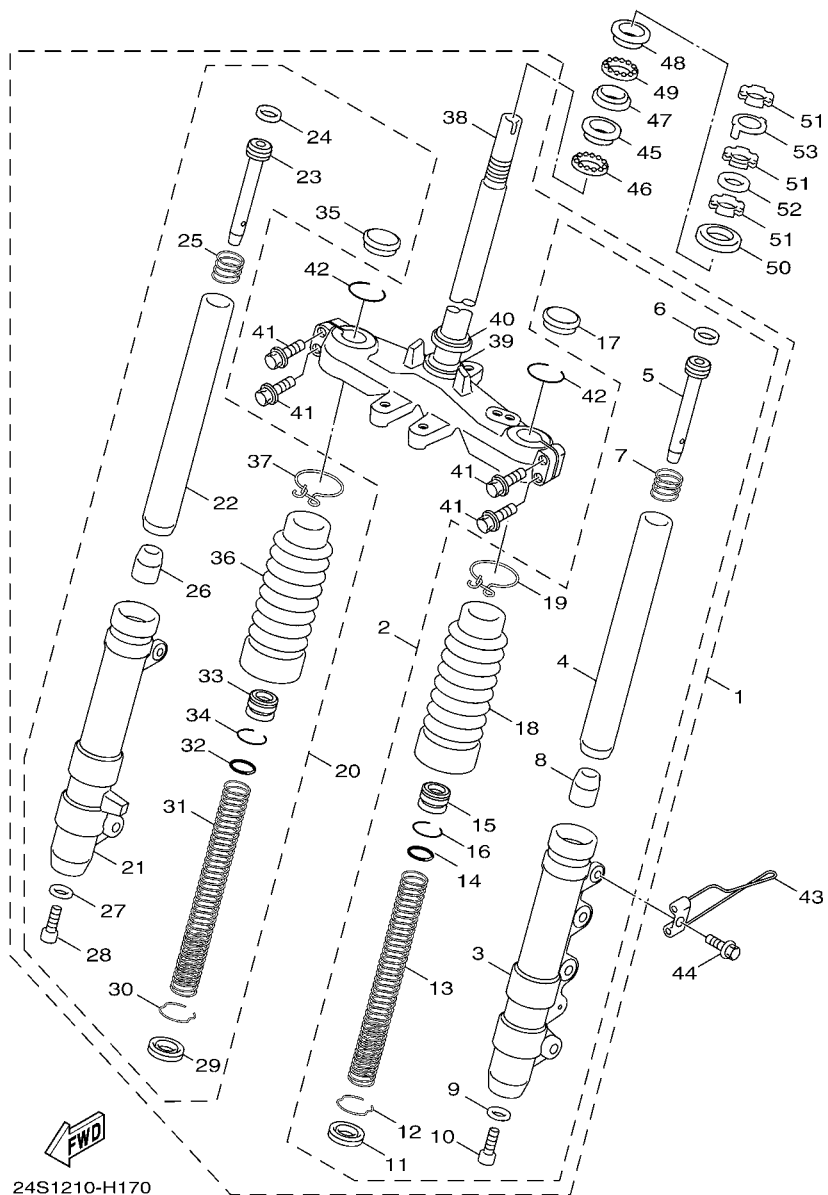


24S1210-H170

| REF. Nº | CODIGO Nº PART NO. | DESCRIPCION DESCRIPTION                                     | 24S1 |  |  |  | OBSERVACIONES REMARKS |
|---------|--------------------|---|------|--|--|--|-----------------------|
| 1       | 5S9-F3100-00       | HORQUILLA DELANTERA COMPLETA<br>FRONT FORK ASSY             | 1    |  |  |  |                       |
| 2       | 5S9-F3102-00       | ..HORQUILLA DELANTERA COMPL.(MI)<br>..FRONT FORK ASSY (L.H) | 1    |  |  |  |                       |
| 3       | 5S9-F3126-00       | ..TUBO EXTERIOR (IZQUIERDO)<br>..TUBE, OUTER (LEFT)         | 1    |  |  |  |                       |
| 4       | 5S9-F3110-00       | ..TUBO INTERIOR COMPLETO 1<br>..INNER TUBE COMP.1           | 1    |  |  |  |                       |
| 5       | 5S9-F3142-00       | ..ASIENTO DEL MUELLE SUPERIOR<br>..SEAT, SPRING UPPER       | 1    |  |  |  |                       |
| 6       | 4C6-F318X-00       | ..ANILLO DE PISTON<br>..PISTON RING                         | 1    |  |  |  |                       |
| 7       | 4C6-F3151-00       | ..RESORTE DE REBOTE<br>..SPRING, REBOUND                    | 1    |  |  |  |                       |
| 8       | 4C6-F3171-00       | ..PISTON HORQUILLA DELANT.<br>..PISTON, FRONT FORK          | 1    |  |  |  |                       |
| 9       | 4C6-F3158-00       | ..EMPAQUE<br>..GASKET                                       | 1    |  |  |  |                       |
| 10      | 4C6-F3181-00       | ..TORNILLO CABEZAHEXAGONAL<br>..BOLT, HEXAGON SOCKET HEAD   | 1    |  |  |  |                       |
| 11      | 4C6-F3145-00       | ..RETÉN DE ACEITE<br>..OIL SEAL                             | 1    |  |  |  |                       |
| 12      | 4C6-F3157-00       | ..ANILLO DEL PISTON<br>..RING, PISTON                       | 1    |  |  |  |                       |
| 13      | 5S9-F3141-00       | ..RESORTE HORQUILLA DELANT.<br>..SPRING, FRONT FORK         | 1    |  |  |  |                       |
| 14      | 4C6-F3147-00       | ..ARO<br>..O-RING   | 1    |  |  |  |                       |
| 15      | 4C6-F3113-00       | ..COLLAR<br>..COLLAR  | 1    |  |  |  |                       |
| 16      | 4C6-F3155-00       | ..ANILLO DE FIELTRO<br>..RING, FELT                         | 1    |  |  |  |                       |
| 17      | 4C6-F3154-00       | ..TAPON TUBO INTERIOR<br>..CAP                              | 1    |  |  |  |                       |
| 18      | 4C6-F3191-00       | ..FUNDA<br>..BOOT   | 1    |  |  |  |                       |
| 19      | 4C6-F3192-00       | ..BANDA<br>..BAND   | 1    |  |  |  |                       |
| 20      | 5S9-F3103-00       | ..HORQUILLA DELANTERA COMPL.(MD)<br>..FRONT FORK ASSY (R.H) | 1    |  |  |  |                       |
| 21      | 5S9-F3136-00       | ..TUBO EXTERIOR<br>..TUBE, OUTER (RIGHT)                    | 1    |  |  |  |                       |
| 22      | 5S9-F3110-00       | ..TUBO INTERIOR COMPLETO 1<br>..INNER TUBE COMP.1           | 1    |  |  |  |                       |
| 23      | 5S9-F3142-00       | ..ASIENTO DEL MUELLE SUPERIOR<br>..SEAT, SPRING UPPER       | 1    |  |  |  |                       |
| 24      | 4C6-F318X-00       | ..ANILLO DE PISTON<br>..PISTON RING                         | 1    |  |  |  |                       |
| 25      | 4C6-F3151-00       | ..RESORTE DE REBOTE<br>..SPRING, REBOUND                    | 1    |  |  |  |                       |
| 26      | 4C6-F3171-00       | ..PISTON HORQUILLA DELANT.<br>..PISTON, FRONT FORK          | 1    |  |  |  |                       |
| 27      | 4C6-F3158-00       | ..EMPAQUE<br>..GASKET                                       | 1    |  |  |  |                       |

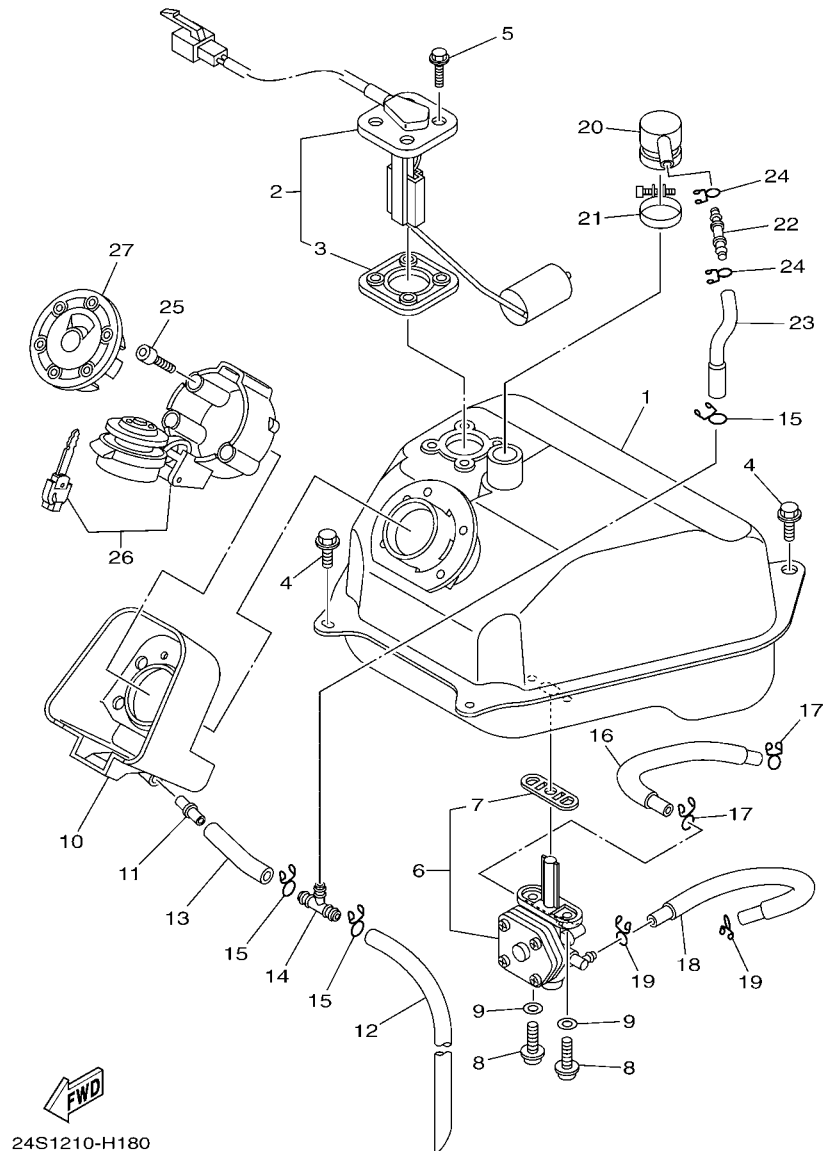
FIG. 17 HORQUILLA DELANTERA

FRONT FORK



24S1210-H170

| REF. Nº | CODIGO Nº PART NO. | DESCRIPCION DESCRIPTION                                   | 24S1 |  |  |  | OBSERVACIONES REMARKS |
|---------|--------------------|---|------|--|--|--|-----------------------|
| 28      | 4C6-F3181-00       | ..TORNILLO CABEZAHEXAGONAL<br>..BOLT, HEXAGON SOCKET HEAD | 1    |  |  |  |                       |
| 29      | 4C6-F3145-00       | ..RETEN DE ACEITE<br>..OIL SEAL                           | 1    |  |  |  |                       |
| 30      | 4C6-F3157-00       | ..ANILLO DEL PISTON<br>..RING, PISTON                     | 1    |  |  |  |                       |
| 31      | 5S9-F3141-00       | ..RESORTE HORQUILLA DELANT.<br>..SPRING, FRONT FORK       | 1    |  |  |  |                       |
| 32      | 4C6-F3147-00       | ..ARO<br>..O-RING   | 1    |  |  |  |                       |
| 33      | 4C6-F3113-00       | ..COLLAR<br>..COLLAR                                      | 1    |  |  |  |                       |
| 34      | 4C6-F3155-00       | ..ANILLO DE FIELTRO<br>..RING, FELT                       | 1    |  |  |  |                       |
| 35      | 4C6-F3154-00       | ..TAPON TUBO INTERIOR<br>..CAP                            | 1    |  |  |  |                       |
| 36      | 4C6-F3191-00       | ..FUNDA<br>..BOOT   | 1    |  |  |  |                       |
| 37      | 4C6-F3192-00       | ..BANDA<br>..BAND   | 1    |  |  |  |                       |
| 38      | 5S9-F3340-00       | ..PLATINA INFERIOR COMPLETA<br>..UNDER BRACKET COMP.      | 1    |  |  |  |                       |
| 39      | 3KW-F3462-00       | ..SELLO PARA POLVO<br>..SEAL, DUST                        | 1    |  |  |  |                       |
| 40      | 4C6-F3411-10       | ..PISTA DE BOLAS 1<br>..RACE, BALL 1                      | 1    |  |  |  |                       |
| 41      | 4C6-F3346-00       | ..PERNO 1<br>..BOLT 1                                     | 4    |  |  |  |                       |
| 42      | 4C6-F3153-00       | ..ANILLO DE ENGANCHE<br>..RING, SNAP                      | 2    |  |  |  |                       |
| 43      | 5S9-F3317-00       | ..SOSTEN DE CABLE<br>..HOLDER, CABLE                      | 1    |  |  |  |                       |
| 44      | 9580L-06010        | TORNILLO<br>BOLT, FLANGE                                  | 1    |  |  |  |                       |
| 45      | 4C6-F3412-00       | PISTA DE BOLAS 2<br>RACE, BALL 2                          | 1    |  |  |  |                       |
| 46      | 4C6-F341E-00       | RETEN DE COJINETE<br>RETAINER, BALL BEARING               | 1    |  |  |  |                       |
| 47      | 4C6-F3414-00       | BASE DE BOLA 4<br>RACE, BALL 4                            | 1    |  |  |  |                       |
| 48      | 4C6-F3413-00       | BASE DE BOLA 3<br>RACE, BALL 3                            | 1    |  |  |  |                       |
| 49      | 4C6-F341D-00       | RETEN DE COJINETE 2<br>RETAINER, BALL BEARING 2           | 1    |  |  |  |                       |
| 50      | 4C6-F3416-00       | CUBIERTA DE BASE DE BOLA 2<br>COVER, BALL RACE 2          | 1    |  |  |  |                       |
| 51      | 90179-25615        | TUERCA<br>NUT   | 3    |  |  |  |                       |
| 52      | 90202-26142        | ARANDELA DE PLANA<br>WASHER, PLATE                        | 1    |  |  |  |                       |
| 53      | 4VP-F3418-00       | ARANDELA ESPECIAL<br>WASHER, SPECIAL                      | 1    |  |  |  |                       |



24S1210-H180

FIG. 18 DEPOSITO DE COMBUSTIBLE FUEL TANK

| REF. Nº | CODIGO Nº PART NO. | DESCRIPCION DESCRIPTION                             | 24S1 |  |  | OBSERVACIONES REMARKS |
|---------|--------------------|---|------|--|--|-----------------------|
| 1       | 24P-F4110-00-33    | DEPOSITO DE COMBUSTIBLE COMP. FUEL TANK COMP.       | 1    |  |  | YB                    |
| 2       | 24P-XH575-00       | MEDIDOR DE COMBUSTIBLE COMPL. SENDER UNIT ASSY      | 1    |  |  | YB                    |
| 3       | 53X-H5753-00       | .EMPAQUE DE UNIDAD TRANSMISORA .GASKET, SENDER UNIT | 1    |  |  |                       |
| 4       | 95827-06012        | TORNILLO BOLT, FLANGE                               | 4    |  |  |                       |
| 5       | 90119-05071        | TORNILLO CON ARANDELA BOLT, WITH WASHER             | 4    |  |  |                       |
| 6       | 4TE-F4500-00       | GRIFO DE COMBUSTIBLE 1 FUEL COCK ASSY 1             | 1    |  |  |                       |
| 7       | 4CW-F452K-00       | .ANILLO O .O-RING                                   | 1    |  |  |                       |
| 8       | 90149-06011        | TORNILLO DE REGLAJE SCREW                           | 2    |  |  |                       |
| 9       | 90202-05193        | ARANDELA DE PLANA WASHER, PLATE                     | 2    |  |  |                       |
| 10      | 5S9-F414A-00       | CUBIERTA DE LLENADOR COVER, FILLER                  | 1    |  |  |                       |
| 11      | 4TE-F1753-00       | COPA DE CONECTOR BOSS, CONNECTOR                    | 1    |  |  |                       |
| 12      | 91A11-07042        | TUBO RESEIRADERO TUBE,FLEXIBLE                      | 1    |  |  |                       |
| 13      | 91A10-07005        | TUBO TUBE, FLEXIBLE                                 | 1    |  |  |                       |
| 14      | 3UH-F4376-00       | TUBO DE UNION 1 PIPE, JOINT 1                       | 1    |  |  |                       |
| 15      | 90467-10041        | PRESILLA CLIP                                       | 3    |  |  |                       |
| 16      | 24P-F4311-00       | TUBO DE COMBUSTIBLE 1 PIPE, FUEL 1                  | 1    |  |  |                       |
| 17      | 90467-09006        | PRESILLA CLIP                                       | 2    |  |  |                       |
| 18      | 24P-F4316-00       | TUBO 6 PIPE 6                                       | 1    |  |  |                       |
| 19      | 90467-08003        | PRESILLA CLIP                                       | 2    |  |  |                       |
| 20      | 3UH-F4112-00       | TUBO JUNTA PIPE                                     | 1    |  |  |                       |
| 21      | 90450-28802        | BRIDA, MANGUERA HOSE CLAMP ASSY                     | 1    |  |  |                       |
| 22      | 3UH-F1753-00       | COPA DE CONECTOR BOSS, CONNECTOR                    | 1    |  |  |                       |
| 23      | 24P-F4313-00       | TUBO 3 PIPE 3                                       | 1    |  |  |                       |
| 24      | 90467-09006        | PRESILLA CLIP                                       | 2    |  |  |                       |
| 25      | 91317-05014        | PERNO BOLT  | 3    |  |  |                       |
| 26      | 5S9-F4602-00       | TAPON COMPLETO CAP ASSY                             | 1    |  |  |                       |
| 27      | 5S9-F467E-00       | TAPA CAP  | 1    |  |  |                       |

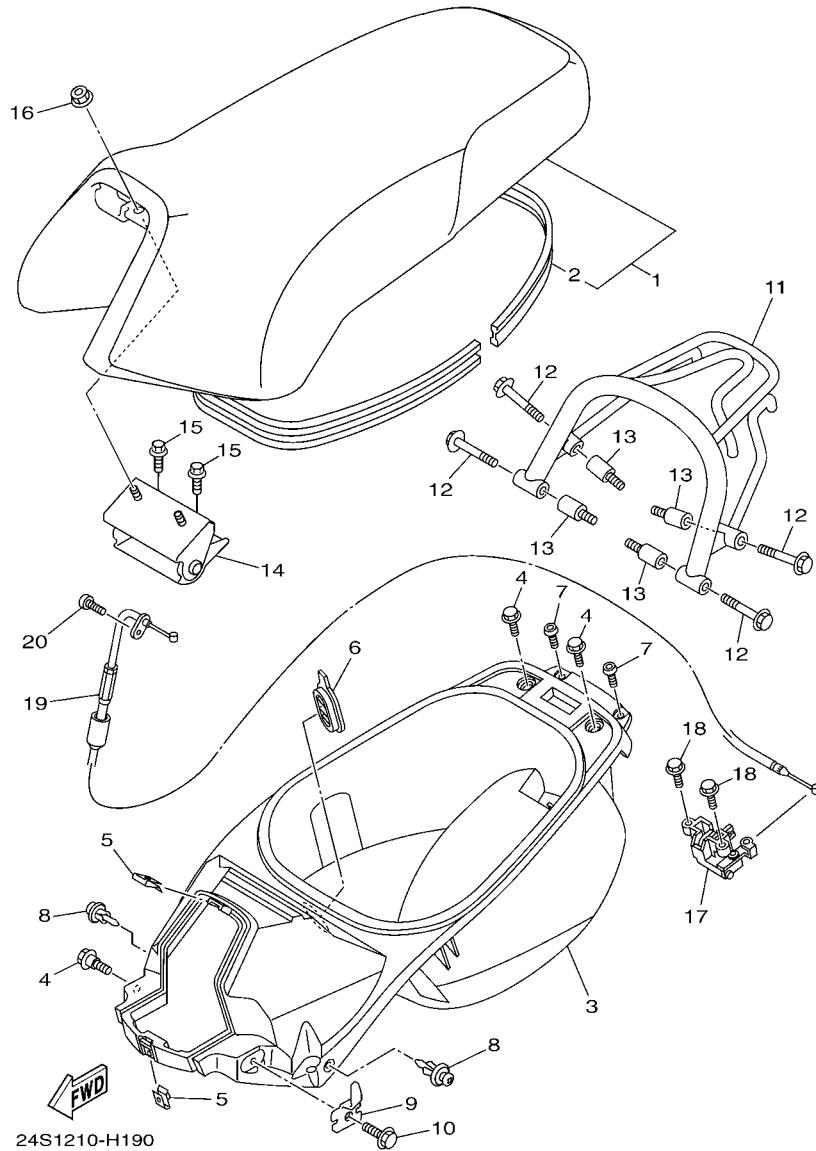
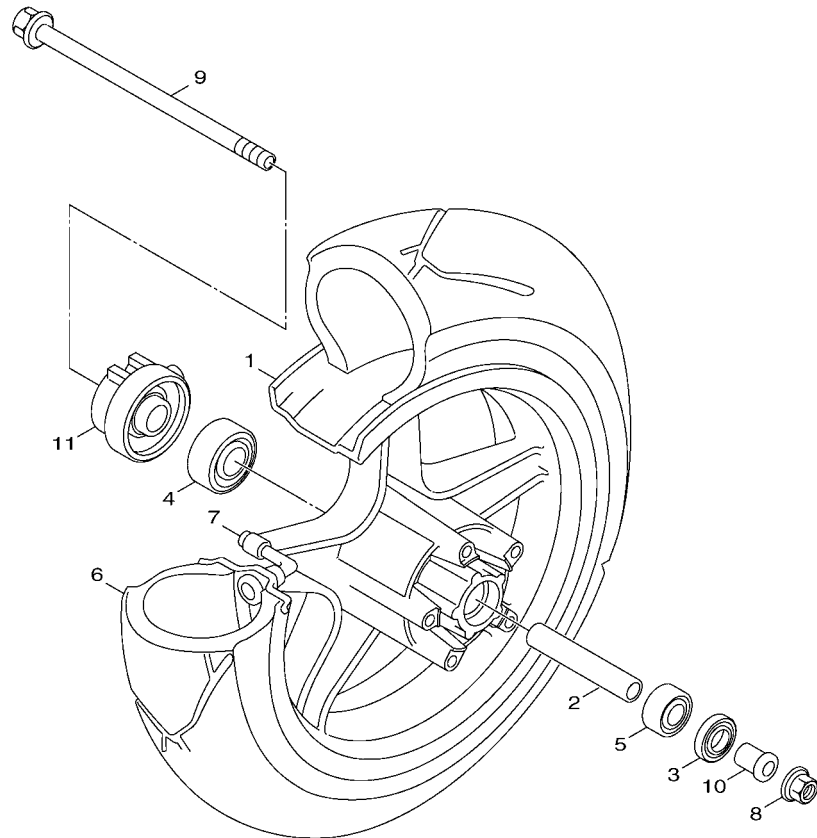


FIG. 19 ASIENTO

SEAT

| REF. N° | CODIGO N° PART NO. | DESCRIPCION DESCRIPTION                         | 24S1 |  |  |  | OBSERVACIONES REMARKS |
|---------|--------------------|---|------|--|--|--|-----------------------|
| 1       | 5S9-F4730-00       | SILLIN DOBLE COMPLETO<br>DOUBLE SEAT ASSY       | 1    |  |  |  |                       |
| 2       | 5S9-F475M-00       | .SELLO<br>.SEAL                                 | 1    |  |  |  |                       |
| 3       | 24P-F473R-00       | CAJA 1<br>BOX 1                                 | 1    |  |  |  |                       |
| 4       | 90109-063F1        | PERNO<br>BOLT                                   | 3    |  |  |  |                       |
| 5       | 90183-05807        | TUERCA DE RESORTE<br>NUT, SPRING                | 2    |  |  |  |                       |
| 6       | 1B6-F4742-00       | ANILLO PROTECTOR<br>GROMMET                     | 1    |  |  |  |                       |
| 7       | 90169-05800        | TORNILLO<br>TAPPING SCREW                       | 2    |  |  |  |                       |
| 8       | 90269-06806        | REMACHE<br>RIVET                                | 2    |  |  |  |                       |
| 9       | 5S9-F1398-00       | COLGADOR DE CASCO<br>HANGER, HELMET             | 1    |  |  |  |                       |
| 10      | 95807-06016        | TORNILLO<br>BOLT, FLANGE                        | 1    |  |  |  |                       |
| 11      | 5S9-F4842-00-7M    | PARRILLA<br>CARRIER, REAR                       | 1    |  |  |  | MDS<br>MDS            |
| 12      | 90119-08848        | TORNILLO CON ARANDELA<br>BOLT, WITH WASHER      | 4    |  |  |  |                       |
| 13      | 5S9-F4735-00       | TUERCA FIXADORA<br>SPEED NUT                    | 4    |  |  |  |                       |
| 14      | 5S9-F4772-00       | RESORTE<br>HINGE ASSY                           | 1    |  |  |  |                       |
| 15      | 95807-06012        | TORNILLO<br>BOLT, FLANGE                        | 2    |  |  |  |                       |
| 16      | 95707-06500        | TUERCA DE BRIDA<br>NUT, FLANGE                  | 2    |  |  |  |                       |
| 17      | 4UE-F4780-02       | CERRADURA SILLIN COMPLETO<br>SEAT LOCK ASSY     | 1    |  |  |  |                       |
| 18      | 95807-06016        | TORNILLO<br>BOLT, FLANGE                        | 2    |  |  |  |                       |
| 19      | 5S9-F478E-00       | CABLE<br>CABLE, SEAT LOCK                       | 1    |  |  |  |                       |
| 20      | 98507-05010        | TORNILLO DE CABEZA CON PLANA<br>SCREW, PAN HEAD | 1    |  |  |  |                       |





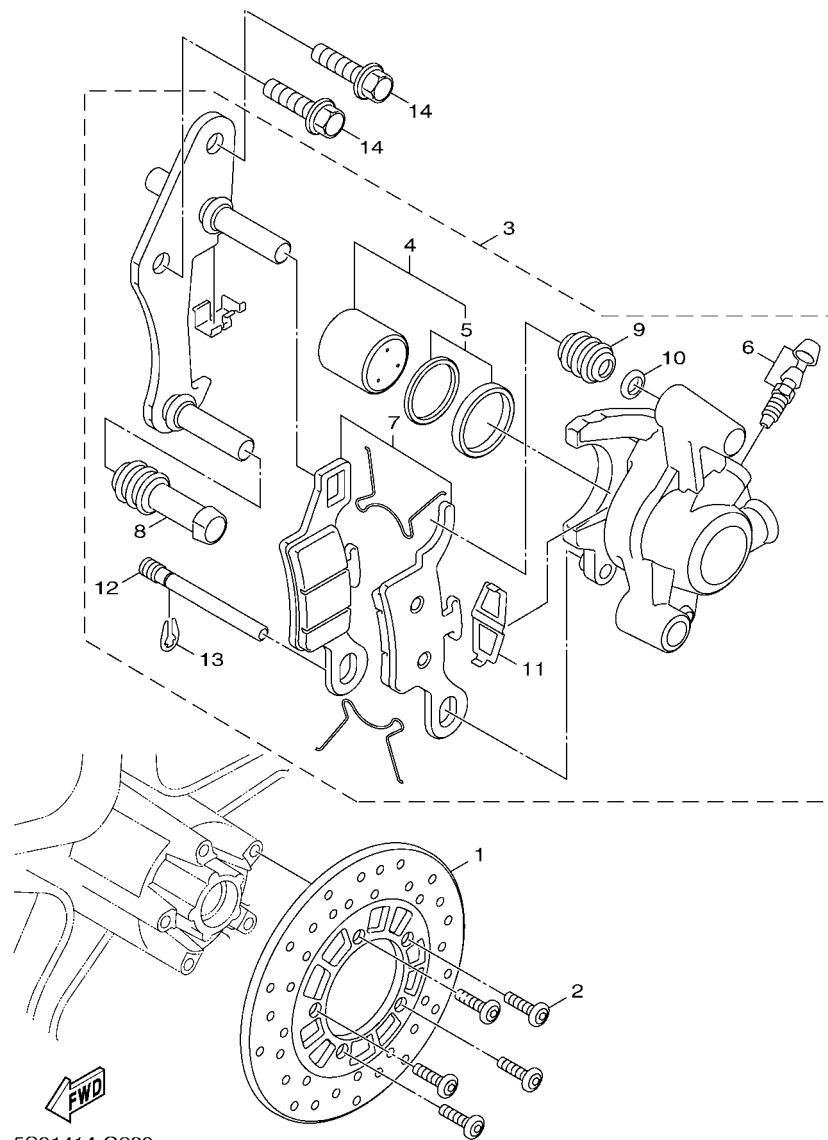
  
 5S91414-G190

FIG. 20 RUEDA DELANTERA

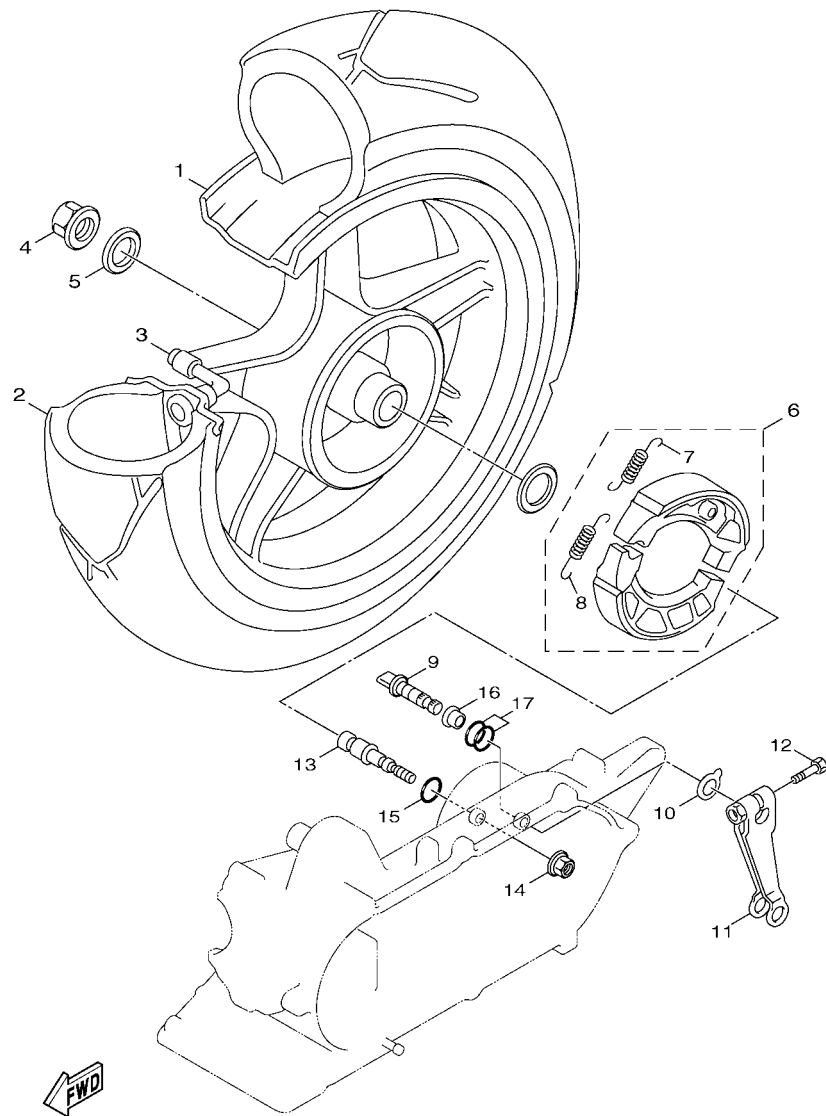
FRONT WHEEL

| REF. N° | CODIGO N° PART NO. | DESCRIPCION DESCRIPTION                           | 24S1 |  |  |  | OBSERVACIONES REMARKS |
|---------|--------------------|---|------|--|--|--|-----------------------|
| 1       | 5ML-F5168-20-33    | RUEDA FUNDIDA DELANTERA<br>CAST WHEEL, FRONT      | 1    |  |  |  | YB<br>YB              |
| 2       | 5ML-F5183-00       | COLLAR DE RUEDA<br>COLLAR, WHEEL                  | 1    |  |  |  |                       |
| 3       | 93102-17853        | SELLO ACEITE<br>OIL SEAL                          | 1    |  |  |  |                       |
| 4       | 93306-201Y7        | COJINETE<br>BEARING                               | 1    |  |  |  |                       |
| 5       | 93306-301YA        | COJINETE<br>BEARING                               | 1    |  |  |  |                       |
| 6       | 94112-12805        | NEUMÁTICO (120/70-12 51L)<br>TIRE (120/70-12 51L) | 1    |  |  |  | KENDA<br>KENDA        |
| 7       | 93900-00814        | VALVULA DE ARO (PVR70)<br>VALVE, RIM (PVR70)      | 1    |  |  |  |                       |
| 8       | 95607-12200        | TUERCA DE AUTO-CIERRE<br>NUT, SELF-LOCKING        | 1    |  |  |  |                       |
| 9       | 5S9-F5181-00       | EJE DE LA RUEDA<br>AXLE, WHEEL                    | 1    |  |  |  |                       |
| 10      | 90387-125J1        | ESPACIADOR<br>COLLAR                              | 1    |  |  |  |                       |
| 11      | 5S9-F5190-00       | UNIDAD DE ENGRANAJE COMPLETA<br>GEAR UNIT ASSY    | 1    |  |  |  |                       |
|         |                    |   |      |  |  |  |                       |
|         |                    |   |      |  |  |  |                       |
|         |                    |   |      |  |  |  |                       |
|         |                    |   |      |  |  |  |                       |
|         |                    |   |      |  |  |  |                       |

**FIG. 21 CALIBRE FRENO DELANTERA FRONT BRAKE CALIPER**



| REF. Nº | CODIGO Nº<br>PART NO. | DESCRIPCION<br>DESCRIPTION                          | 24S1 |  |  |  | OBSERVACIONES<br>REMARKS |
|---------|-----------------------|---|------|--|--|--|--------------------------|
| 1       | 5S9-F582U-00          | DISCO DE FRENO (DERECHO)<br>DISK, BRAKE (RIGHT)     | 1    |  |  |  |                          |
| 2       | 90149-08814           | TORNILLO DE REGLAJE<br>SCREW                        | 5    |  |  |  |                          |
| 3       | 5S9-F580T-00          | CALIBRE COMPLETO (IZQUIERDO)<br>CALIPER ASSY (LEFT) | 1    |  |  |  |                          |
| 4       | 5S9-W0057-00          | .PISTON COMPLETO PINZA<br>.PISTON ASSY, CALIPER     | 1    |  |  |  |                          |
| 5       | 5S9-W0047-00          | ..JUEGO DE RETENES DE PINZA<br>..CALIPER SEAL KIT   | 1    |  |  |  |                          |
| 6       | 5S9-W0048-00          | .CJTO TORNILLO DE PURGA<br>.BLEED SCREW KIT         | 1    |  |  |  |                          |
| 7       | 5S9-W0045-00          | .JUEGO DE COJIN DE FRENO<br>.BRAKE PAD KIT          | 1    |  |  |  |                          |
| 8       | 5S9-F5917-00          | .FUNDA DE CALIBRE<br>.BOOT, CALIPER                 | 1    |  |  |  |                          |
| 9       | 5S9-F5937-00          | .FUNDA<br>.BOOT 2                                   | 1    |  |  |  |                          |
| 10      | 5S9-F5913-00          | .RETEN<br>.RETAINER                                 | 1    |  |  |  |                          |
| 11      | 5S9-F5919-00          | .SOPORTE DE PASTILLAS<br>.SUPPORT, PAD              | 1    |  |  |  |                          |
| 12      | 5S9-F5924-00          | .PASADOR<br>.PIN, PAD                               | 1    |  |  |  |                          |
| 13      | 5S9-F5925-00          | .PRESILLA<br>.CLIP                                  | 1    |  |  |  |                          |
| 14      | 90105-10638           | TORNILLO<br>BOLT, FLANGE                            | 2    |  |  |  |                          |

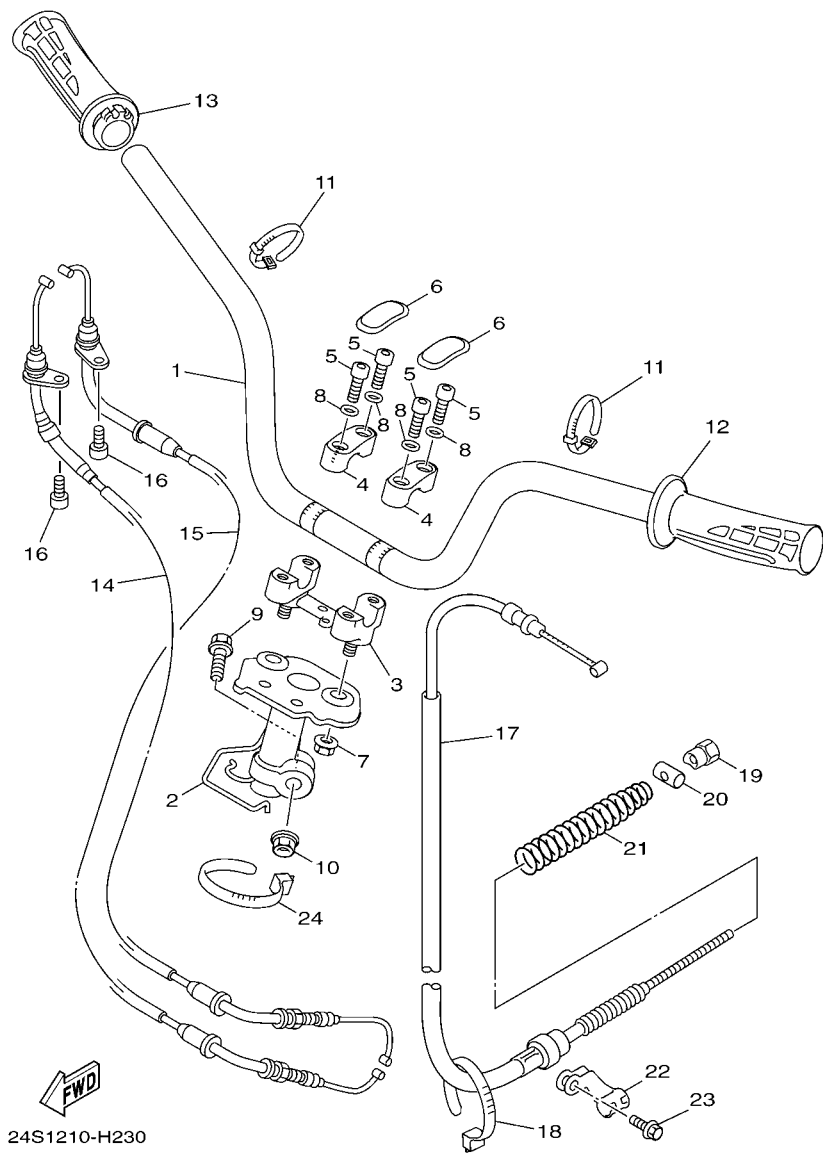


5S91414-G210

FIG. 22 RUEDA TRASERA

REAR WHEEL

| REF. N° | CODIGO N° PART NO. | DESCRIPCION DESCRIPTION                           | 24S1 |  |  |  | OBSERVACIONES REMARKS |
|---------|--------------------|---|------|--|--|--|-----------------------|
| 1       | 5ML-F5338-20-33    | RUEDA FUNDIDA TRASERA<br>CAST WHEEL, REAR         | 1    |  |  |  | YB<br>YB              |
| 2       | 94113-12802        | NEUMATICO (130/70-12 56L)<br>TIRE (130/70-12 56L) | 1    |  |  |  | KENDA<br>KENDA        |
| 3       | 93900-00814        | VALVULA DE ARO (PVR70)<br>VALVE, RIM (PVR70)      | 1    |  |  |  |                       |
| 4       | 90185-14124        | TUERCA AUTOBLOCANTE<br>NUT, SELF-LOCKING          | 1    |  |  |  |                       |
| 5       | 90201-220J8        | ARANDELA PLANA<br>WASHER, PLATE                   | 1    |  |  |  |                       |
| 6       | 5ML-XF533-00       | JUEGO DE ZAPATA DE FRENO<br>BRAKE SHOE SET        | 1    |  |  |  |                       |
| 7       | 90506-13800        | .RESORTE DE TENSION<br>.SPRING, TENSION           | 1    |  |  |  |                       |
| 8       | 90506-16802        | .RESORTE DE TENSION<br>.SPRING, TENSION           | 1    |  |  |  |                       |
| 9       | 5S9-F5351-00       | ARBOL DE LEVAS<br>CAMSHAFT                        | 1    |  |  |  |                       |
| 10      | 4VP-F533A-00       | PLACA INDICADOR<br>PLATE, INDICATOR               | 1    |  |  |  |                       |
| 11      | 5S9-F5355-00       | PALANCA DE ARBOL DE LEVAS<br>LEVER, CAMSHAFT      | 1    |  |  |  |                       |
| 12      | 90101-06278        | TORNILLO<br>BOLT                                  | 1    |  |  |  |                       |
| 13      | 5ML-F5326-00       | PASADOR PIVOTE<br>PIN, PIVOT                      | 1    |  |  |  |                       |
| 14      | 95707-10500        | TUERCA DE BRIDA<br>NUT, FLANGE                    | 1    |  |  |  |                       |
| 15      | 93210-09859        | ANILLO O<br>O-RING                                | 1    |  |  |  |                       |
| 16      | 5ML-F5377-00       | COLLAR DE RUEDA<br>COLLAR, WHEEL                  | 1    |  |  |  |                       |
| 17      | 93210-14802        | ANILLO O<br>O-RING                                | 2    |  |  |  |                       |



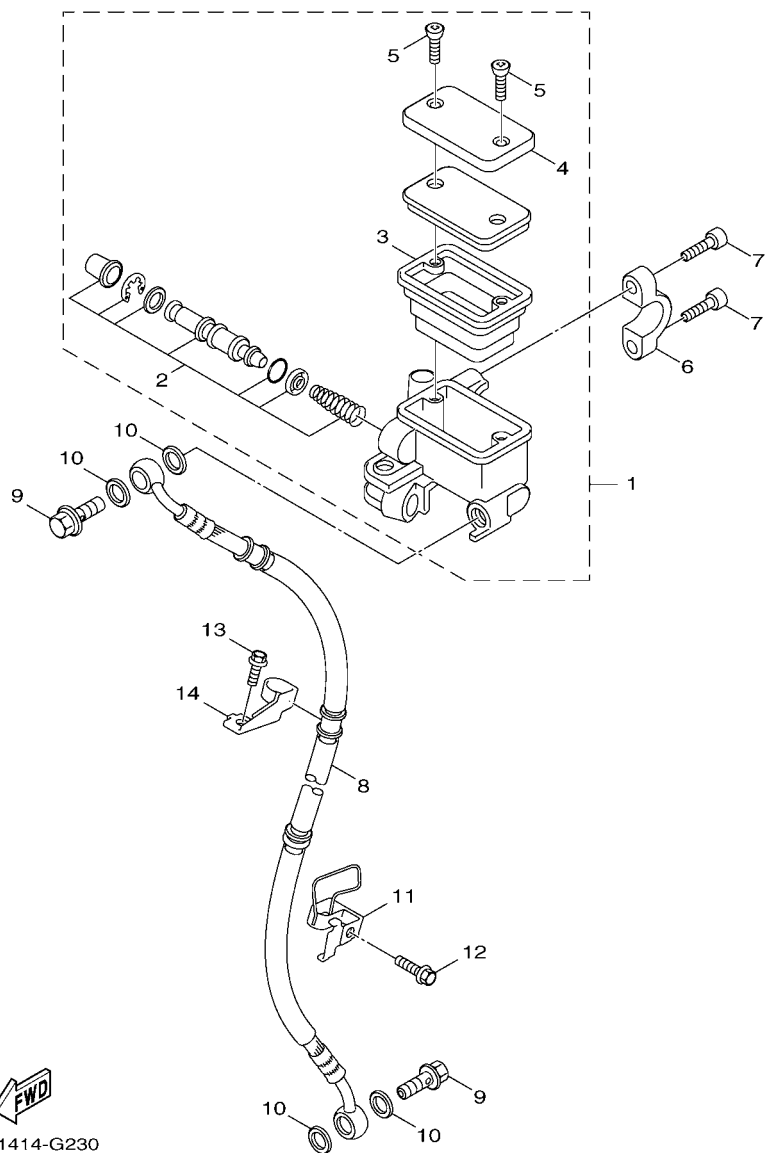
24S1210-H230

FIG. 23 MANILLAR & CABLE

STEERING HANDLE & CABLE

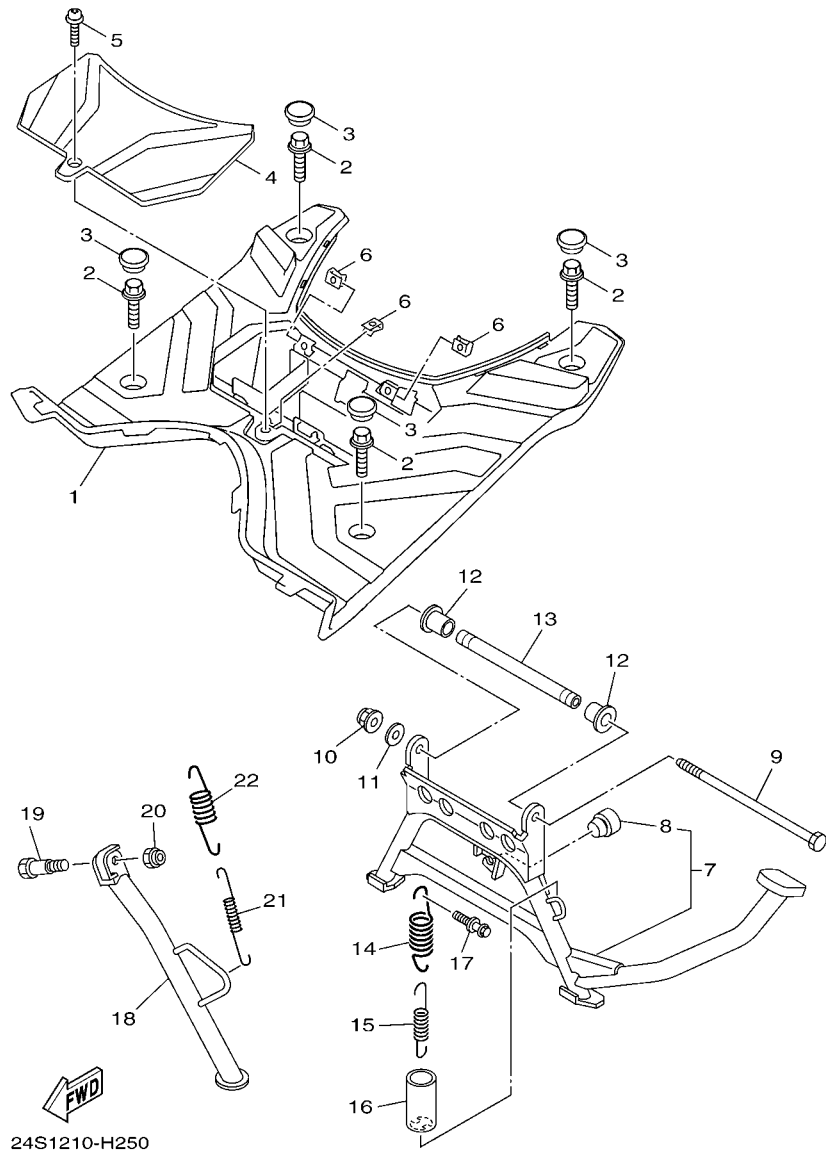
| REF. N° | CODIGO N° PART NO. | DESCRIPCION DESCRIPTION                           | 24S1 |  |  |  | OBSERVACIONES REMARKS |
|---------|--------------------|---|------|--|--|--|-----------------------|
| 1       | 5S9-F6111-00       | MANUBRIO HANDLEBAR                                | 1    |  |  |  |                       |
| 2       | 5S9-F3461-00       | SOPORTE DE MANUBRIO BRACKET, HANDLE               | 1    |  |  |  |                       |
| 3       | 5FH-F3442-00       | SOPORTE DE MANUBRIO INFERIOR HOLDER, HANDLE LOWER | 1    |  |  |  |                       |
| 4       | 1MH-F3441-01-35    | SOPORTE DE MANUBRIO HOLDER, HANDLE UPPER          | 2    |  |  |  | SL<br>SL              |
| 5       | 91317-08025        | PERNO BOLT  | 4    |  |  |  |                       |
| 6       | 1MH-F3469-00       | TÁPA DE PERNO CAP, BOLT                           | 2    |  |  |  |                       |
| 7       | 90185-10801        | TUERCA AUTOBLOCANTE NUT, SELF-LOCKING             | 2    |  |  |  |                       |
| 8       | 90201-08823        | ARANDELA PLANA WASHER, PLATE                      | 4    |  |  |  |                       |
| 9       | 90105-10036        | TORNILLO BOLT, FLANGE                             | 1    |  |  |  |                       |
| 10      | 90185-10801        | TUERCA AUTOBLOCANTE NUT, SELF-LOCKING             | 1    |  |  |  |                       |
| 11      | 31U-H3936-00       | BANDA DE CABLE DE INTERRUPTOR BAND, SWITCH CORD   | 2    |  |  |  |                       |
| 12      | 4VP-F6241-01       | EMPUNADURA GRIP                                   | 1    |  |  |  |                       |
| 13      | 5S9-F6240-00       | EMPUNADURA COMPLETA GRIP ASSY                     | 1    |  |  |  |                       |
| 14      | 24P-F6311-00       | CABLE DE ACELERADOR 1 CABLE, THROTTLE 1           | 1    |  |  |  |                       |
| 15      | 24P-F6312-00       | CABLE DE ACELERADOR 2 CABLE, THROTTLE 2           | 1    |  |  |  |                       |
| 16      | 91317-05010        | PERNO BOLT  | 2    |  |  |  |                       |
| 17      | 5S9-F6351-00       | CABLE DE FRENO CABLE, BRAKE                       | 1    |  |  |  |                       |
| 18      | 90464-12812        | BRIDA CLAMP                                       | 1    |  |  |  |                       |
| 19      | 90179-06843        | TUERCA NUT  | 1    |  |  |  |                       |
| 20      | 90249-12008        | PASADOR PIN                                       | 1    |  |  |  |                       |
| 21      | 90501-16801        | RESORTE DE COMPRESION SPRING, COMPRESSION         | 1    |  |  |  |                       |
| 22      | 5S9-F637H-00       | SOSTEN, DE CABLE 2 HOLDER, WIRE 2                 | 1    |  |  |  |                       |
| 23      | 95827-06012        | TORNILLO BOLT, FLANGE                             | 1    |  |  |  |                       |
| 24      | 90464-12812        | BRIDA CLAMP                                       | 1    |  |  |  |                       |

FIG. 24 CILINDRO MAESTRO DELANTERO FRONT MASTER CYLINDER



5S91414-G230

| REF. Nº | CODIGO Nº PART NO. | DESCRIPCION DESCRIPTION                            | 24S1 |  |  |  | OBSERVACIONES REMARKS |
|---------|--------------------|--|------|--|--|--|-----------------------|
| 1       | 5S9-F5870-00       | CILINDRO MAESTRO COMPLETO MASTER CYLINDER SUB ASSY | 1    |  |  |  |                       |
| 2       | 5S9-W0041-00       | .JUEGO DE CILINDRO MAESTRO .CYLINDER KIT, MASTER   | 1    |  |  |  |                       |
| 3       | 5S9-F5854-00       | .EMPAQUE, DIAFRAGMA .GASKET, DIAPHRAGM             | 1    |  |  |  |                       |
| 4       | 5S9-F5852-00       | .TAPA DE TANQUE DE RESERVA .CAP, RESERVOIR         | 1    |  |  |  |                       |
| 5       | 98707-04012        | .TORNILLO DE CABEZA PLANA .SCREW, FLAT HEAD        | 2    |  |  |  |                       |
| 6       | 3GF-F5867-00       | SOSTÉN HOLDER                                      | 1    |  |  |  |                       |
| 7       | 91317-06025        | PERNO BOLT   | 2    |  |  |  |                       |
| 8       | 5S9-F5872-00       | MANGUERA DE FRENO 1 HOSE, BRAKE 1                  | 1    |  |  |  |                       |
| 9       | 90401-10805        | PERNO DE UNION BOLT, UNION                         | 2    |  |  |  |                       |
| 10      | 90201-10118        | ARANDELA PLANA WASHER, PLATE                       | 4    |  |  |  |                       |
| 11      | 5S9-F5875-00       | SOPORTE DE MANGUERA FRENO 1 HOLDER, BRAKE HOSE 1   | 1    |  |  |  |                       |
| 12      | 95807-06012        | TORNILLO BOLT, FLANGE                              | 1    |  |  |  |                       |
| 13      | 95807-06012        | TORNILLO BOLT, FLANGE                              | 1    |  |  |  |                       |
| 14      | 5S9-F5876-00       | SOPORTE DE MANGUERA FRENO 2 HOLDER, BRAKE HOSE 2   | 1    |  |  |  |                       |



24S1210-H250

FIG. 25 SOPORTE & APOYAPIE STAND & FOOTREST

| REF. Nº | CODIGO Nº PART NO. | DESCRIPCION DESCRIPTION                        | 24S1 |  |  |  | OBSERVACIONES REMARKS |
|---------|--------------------|--|------|--|--|--|-----------------------|
| 1       | 5S9-F7481-00       | TABLERO DE APOYAPIE BOARD, FOOTREST            | 1    |  |  |  |                       |
| 2       | 90119-06874        | TORNILLO CON ARANDELA BOLT, WITH WASHER        | 4    |  |  |  |                       |
| 3       | 5HK-F7475-00       | TAPA 1 CAP 1                                   | 4    |  |  |  |                       |
| 4       | 5S9-H2129-00       | CUBIERTA DE BATERIA COVER, BATTERY             | 1    |  |  |  |                       |
| 5       | 97707-50012        | TORNILLO SCREW, TRUSS HEAD TAPPING             | 1    |  |  |  |                       |
| 6       | 90183-05807        | TUERCA DE RESORTE NUT, SPRING                  | 3    |  |  |  |                       |
| 7       | 5S9-XF711-02       | PUNTAL PRINCIPAL STAND, MAIN                   | 1    |  |  |  |                       |
| 8       | 5S9-F7114-01       | .TOPE DE PUNTAL PRINCIPAL .STOPPER, MAIN STAND | 1    |  |  |  |                       |
| 9       | 5ML-F7117-00       | PERNO DE PUNTAL PRINCIPAL BOLT, MAIN STAND     | 1    |  |  |  |                       |
| 10      | 95604-08200        | TUERCA DE AUTO-CIERRE NUT, U FLANGE            | 1    |  |  |  |                       |
| 11      | 90201-08810        | ARANDELA PLANA WASHER, PLATE                   | 1    |  |  |  |                       |
| 12      | 5ML-F7121-00       | BUJE BUSH                                      | 2    |  |  |  |                       |
| 13      | 5ML-F7113-00       | COLLAR DE PUNTAL PRINCIPAL COLLAR, MAIN STAND  | 1    |  |  |  |                       |
| 14      | 90506-40800        | RESORTE DE TENSION SPRING, TENSION             | 1    |  |  |  |                       |
| 15      | 90506-20803        | RESORTE DE TENSION SPRING, TENSION             | 1    |  |  |  |                       |
| 16      | 5S9-F7244-00       | CUBIERTA COVER                                 | 1    |  |  |  |                       |
| 17      | 5SU-F7254-01       | GANCHO HOOK                                    | 1    |  |  |  |                       |
| 18      | 5S9-F7311-00       | PUNTAL LATERAL STAND, SIDE                     | 1    |  |  |  |                       |
| 19      | 90109-10005        | PERNO BOLT                                     | 1    |  |  |  |                       |
| 20      | 90185-10110        | TUERCA AUTOBLOCANTE NUT, SELF-LOCKING          | 1    |  |  |  |                       |
| 21      | 90506-16801        | RESORTE DE TENSION SPRING, TENSION             | 1    |  |  |  |                       |
| 22      | 90506-26802        | RESORTE DE TENSION SPRING, TENSION             | 1    |  |  |  |                       |

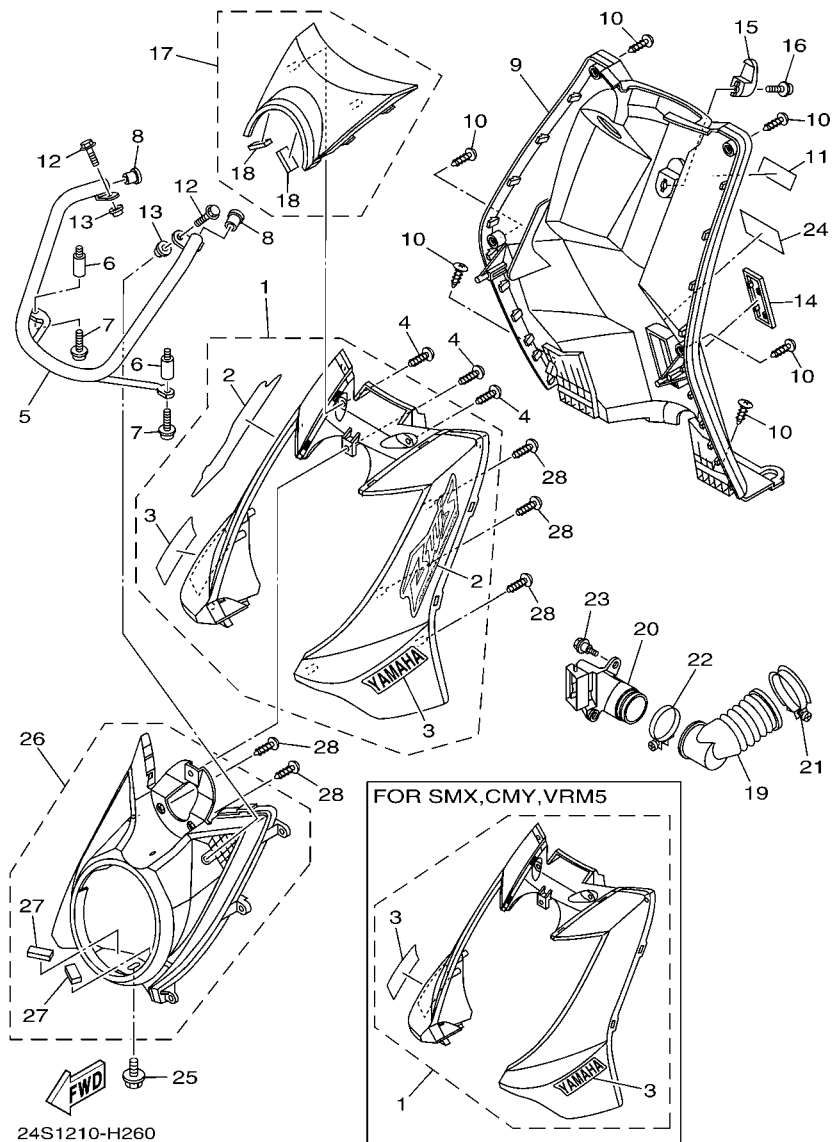


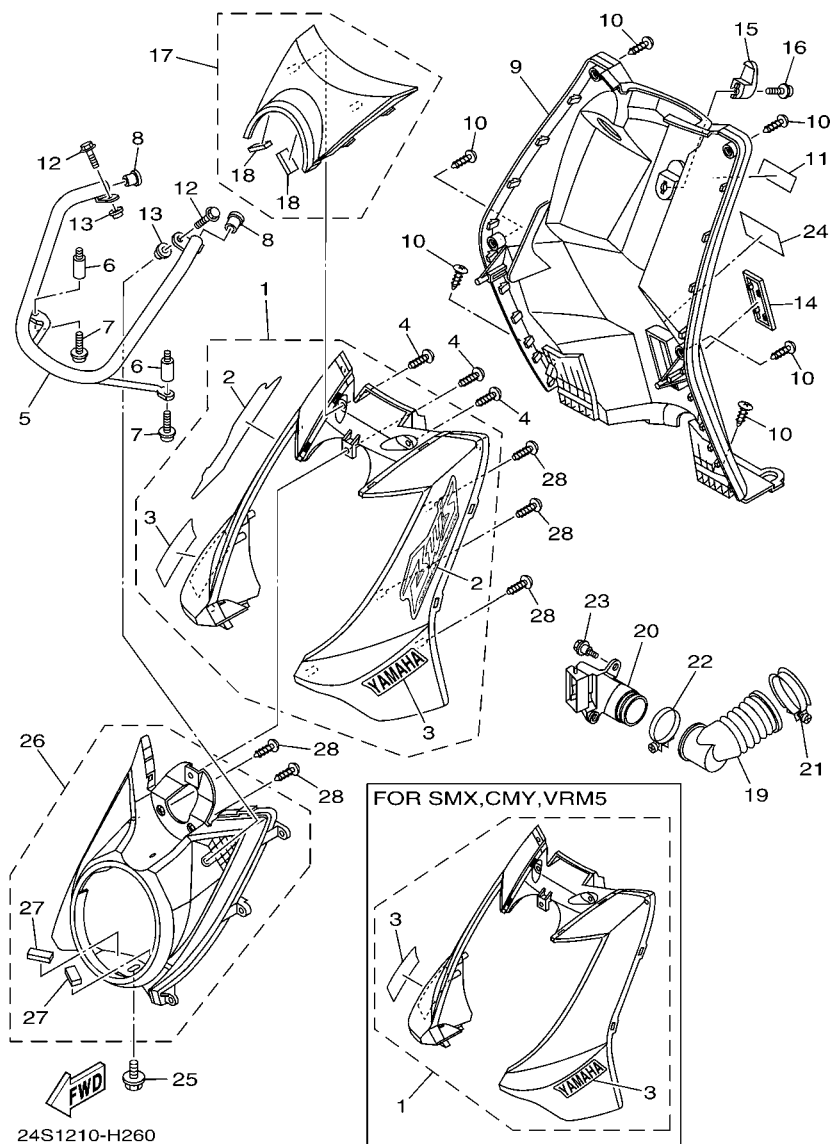
FIG. 26 PATA PROTEGIDA

LEG SHIELD

| REF. Nº | CODIGO Nº<br>PART NO. | DESCRIPCION<br>DESCRIPTION                  | 24S1 |  |  | OBSERVACIONES<br>REMARKS      |
|---------|-----------------------|---|------|--|--|-------------------------------|
| 1       | 5S9-XF831-10-P4       | PROTECCION DE PATA 1<br>LEG SHIELD 1        | 1    |  |  | UR PARA DPBMC<br>UR FOR DPBMC |
|         | 5S9-XF831-10-P0       | PROTECCION DE PATA 1<br>LEG SHIELD 1        | 1    |  |  | UR PARA SMX<br>UR FOR SMX     |
|         | 5S9-XF831-10-AL       | PROTECCION DE PATA 1<br>LEG SHIELD 1        | 1    |  |  | UR PARA CMY<br>UR FOR CMY     |
|         | 5S9-XF831-10-P5       | PROTECCION DE PATA 1<br>LEG SHIELD 1        | 1    |  |  | UR PARA VRM5<br>UR FOR VRM5   |
| 2       | 24P-F832D-00          | .GRAFICO 17<br>.GRAPHIC 17                  | 2    |  |  | PARA DPBMC<br>FOR DPBMC       |
| 3       | 24P-F8315-00          | .EMBLEMA<br>.EMBLEM                         | 2    |  |  | UR PARA DPBMC<br>UR FOR DPBMC |
|         | 24P-F8315-10          | .EMBLEMA<br>.EMBLEM                         | 2    |  |  | UR PARA SMX<br>UR FOR SMX     |
|         | 24P-F8315-20          | .EMBLEMA<br>.EMBLEM                         | 2    |  |  | UR PARA CMY<br>UR FOR CMY     |
|         | 24P-F8315-30          | .EMBLEMA<br>.EMBLEM                         | 2    |  |  | UR PARA VRM5<br>UR FOR VRM5   |
| 4       | 97707-50016           | TORNILLO<br>SCREW, TRUSS HEAD TAPPING       | 3    |  |  |                               |
| 5       | 5S9-F840K-00-7M       | ACCESORIO<br>GUARD COMP.                    | 1    |  |  | MDS<br>MDS                    |
| 6       | 5S9-F1535-00          | TUERCA 1<br>NUT 1                           | 2    |  |  |                               |
| 7       | 90110-06851           | TORNILLO ALLEN<br>BOLT, HEXAGON SOCKET HEAD | 2    |  |  |                               |
| 8       | 90338-16801           | TAPON<br>PLUG                               | 2    |  |  |                               |
| 9       | 5S9-F8312-00          | PROTECCION DE PATA 2<br>LEG SHIELD 2        | 1    |  |  |                               |
| 10      | 97707-50016           | TORNILLO<br>SCREW, TRUSS HEAD TAPPING       | 6    |  |  |                               |
| 11      | 4JK-F1568-30          | ETIQUETA DE PRECAUCION<br>LABEL, WARNING    | 1    |  |  |                               |
| 12      | 90109-06862           | PERNO<br>BOLT                               | 2    |  |  |                               |
| 13      | 90387-068C3           | ESPACIADOR<br>COLLAR                        | 2    |  |  |                               |
| 14      | 5FM-F8349-00          | TAPA<br>CAP                                 | 1    |  |  |                               |
| 15      | 5S9-F8257-00          | GANCHO 1<br>HOOK 1                          | 1    |  |  |                               |
| 16      | 90159-06822           | TORNILLO CON VALONA<br>SCREW, WITH WASHER   | 1    |  |  |                               |
| 17      | 5S9-XF834-00-P0       | MOLDURA 1<br>MOLE 1                         | 1    |  |  | SMX<br>SMX                    |
| 18      | 5S9-F8372-00          | .AMORTIGUADOR<br>.DAMPER                    | 2    |  |  |                               |
| 19      | 5ML-F838N-00          | CONDUCTO 1<br>DUCT 1                        | 1    |  |  |                               |
| 20      | 5ML-F838R-00          | CONDUCTO 2<br>DUCT 2                        | 1    |  |  |                               |
| 21      | 5CA-F1823-00          | GRAMPA DE MANGUERA<br>CLAMP, HOSE           | 1    |  |  |                               |

FIG. 26 PATA PROTEGIDA

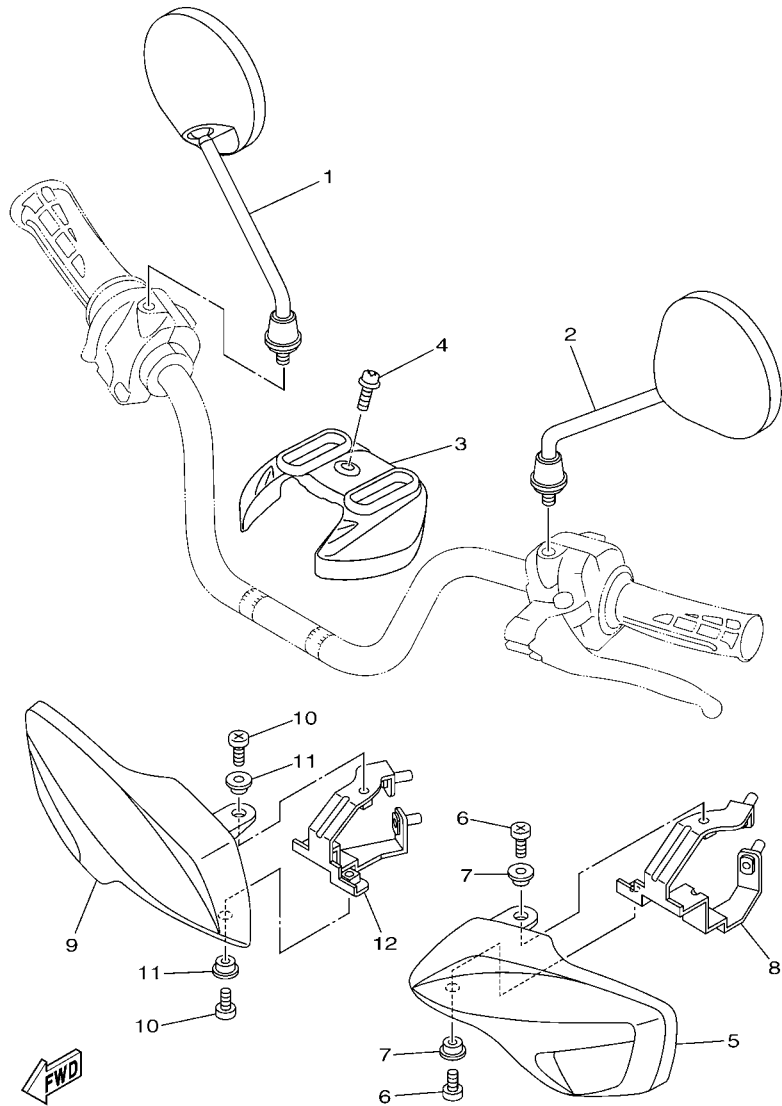
LEG SHIELD



24S1210-H260

| REF. Nº | CODIGO Nº PART NO. | DESCRIPCION DESCRIPTION                     | 24S1 |  |  |  | OBSERVACIONES REMARKS |
|---------|--------------------|---|------|--|--|--|-----------------------|
| 22      | 90450-53061        | BRIDA, MANGUERA<br>HOSE CLAMP ASSY          | 1    |  |  |  |                       |
| 23      | 90109-063F1        | PERNO<br>BOLT                               | 2    |  |  |  |                       |
| 24      | 24P-F1668-00       | ETIQUETA DE FRANJA<br>LABEL, TIRE           | 1    |  |  |  |                       |
| 25      | 90119-05004        | TORNILLO CON ARANDELA<br>BOLT, WITH WASHER  | 1    |  |  |  |                       |
| 26      | 5S9-XH414-00       | CUBIERTA FARO DELANTERO<br>COVER, HEADLIGHT | 1    |  |  |  |                       |
| 27      | 5S9-F8372-00       | .AMORTIGUADOR<br>.DAMPER                    | 2    |  |  |  |                       |
| 28      | 97707-50016        | TORNILLO<br>SCREW, TRUSS HEAD TAPPING       | 8    |  |  |  |                       |
|         |                    |   |      |  |  |  |                       |
|         |                    |   |      |  |  |  |                       |
|         |                    |   |      |  |  |  |                       |
|         |                    |   |      |  |  |  |                       |
|         |                    |   |      |  |  |  |                       |
|         |                    |   |      |  |  |  |                       |
|         |                    |   |      |  |  |  |                       |
|         |                    |   |      |  |  |  |                       |
|         |                    |   |      |  |  |  |                       |





24S1210-H270

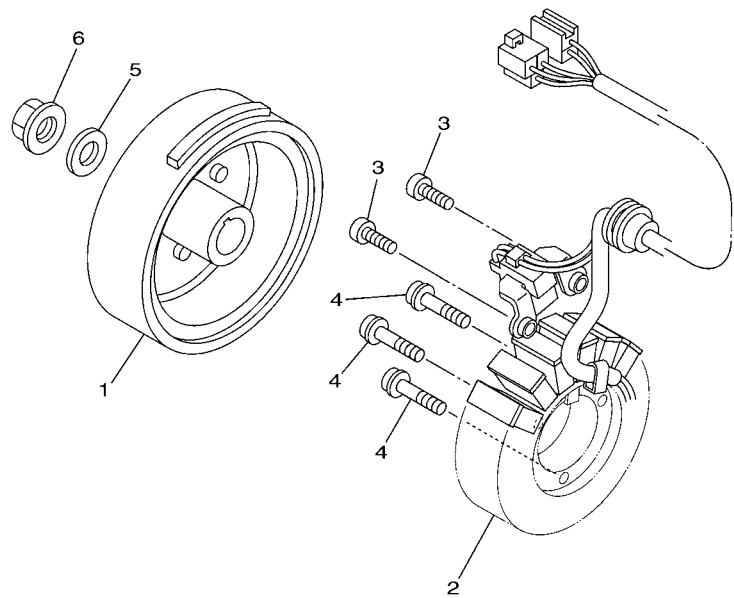
FIG. 27 BOVEDA 1

COWLING 1

| REF. N° | CODIGO N° PART NO. | DESCRIPCION DESCRIPTION                                     | 24S1 |  |  |  | OBSERVACIONES REMARKS |
|---------|--------------------|---|------|--|--|--|-----------------------|
| 1       | 4VP-F6290-00       | ESPEJO COMPLETO (DERECHO)<br>REAR VIEW MIRROR ASSY (RIGHT)  | 1    |  |  |  |                       |
| 2       | 4VP-F6280-00       | ESPEJO COMPLETO (IZQUIERDO)<br>REAR VIEW MIRROR ASSY (LEFT) | 1    |  |  |  |                       |
| 3       | 5S9-F6143-01       | CUBIERTA DE MANUBRIO SUPERIOR1<br>COVER, HANDLEBAR UPPER 1  | 1    |  |  |  |                       |
| 4       | 90159-05820        | TORNILLO CON VALONA<br>SCREW, WITH WASHER                   | 1    |  |  |  |                       |
| 5       | 5S9-F6141-00       | GUARDA ESCOBILLA 1<br>GUARD, BRUSH 1                        | 1    |  |  |  |                       |
| 6       | 98907-05014        | TORNILLO DE LIGAR<br>SCREW, BIND                            | 2    |  |  |  |                       |
| 7       | 90387-06868        | ESPACIADOR<br>COLLAR  | 2    |  |  |  |                       |
| 8       | 5S9-F612K-00       | SOPORTE 2<br>BRKT 2   | 1    |  |  |  |                       |
| 9       | 5S9-F6142-00       | GUARDA ESCOBILLA 2<br>GUARD, BRUSH 2                        | 1    |  |  |  |                       |
| 10      | 98907-05014        | TORNILLO DE LIGAR<br>SCREW, BIND                            | 2    |  |  |  |                       |
| 11      | 90387-06868        | ESPACIADOR<br>COLLAR  | 2    |  |  |  |                       |
| 12      | 5S9-F612L-00       | SOPORTE 3<br>BRACKET 3                                      | 1    |  |  |  |                       |

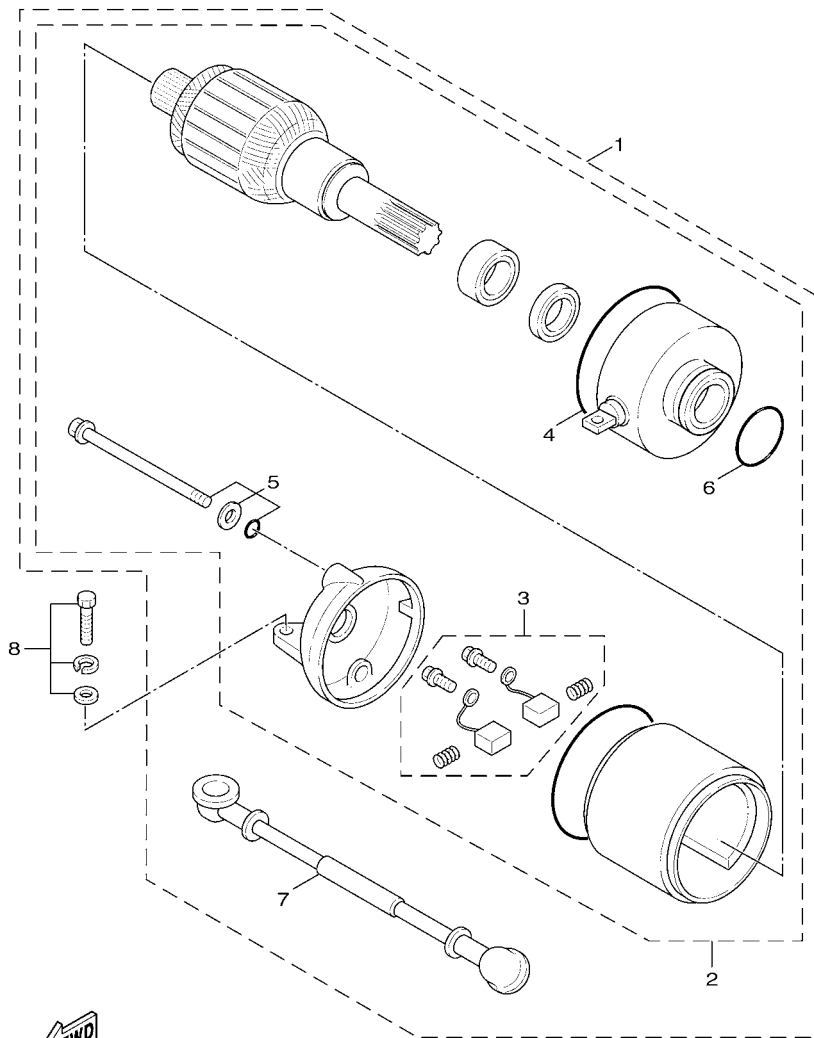
FIG. 28 GENERADOR

GENERATOR



| REF. Nº | CODIGO Nº PART NO. | DESCRIPCION DESCRIPTION                             | 24S1 |  |  |  | OBSERVACIONES REMARKS |
|---------|--------------------|---|------|--|--|--|-----------------------|
| 1       | 1P3-H1450-00       | ROTOR COMPLETO<br>ROTOR ASSY                        | 1    |  |  |  |                       |
| 2       | 5S9-H1410-00       | ESTATOR COMPLETO<br>STATOR ASSY                     | 1    |  |  |  |                       |
| 3       | 98507-06016        | TORNILLO DE CABEZA CON PLANA<br>SCREW, PAN HEAD     | 2    |  |  |  |                       |
| 4       | 97607-06225        | TORNILLO CAB CON PLANA C/ARAN<br>SCREW, WITH WASHER | 3    |  |  |  |                       |
| 5       | 90201-12688        | ARANDELA PLANA<br>WASHER, PLATE                     | 1    |  |  |  |                       |
| 6       | 90179-12248        | TUERCA<br>NUT                                       | 1    |  |  |  |                       |
|         |                    |   |      |  |  |  |                       |
|         |                    |   |      |  |  |  |                       |
|         |                    |   |      |  |  |  |                       |
|         |                    |   |      |  |  |  |                       |
|         |                    |   |      |  |  |  |                       |
|         |                    |   |      |  |  |  |                       |
|         |                    |   |      |  |  |  |                       |
|         |                    |   |      |  |  |  |                       |

  
24S1210-H280



5TY1414-2290

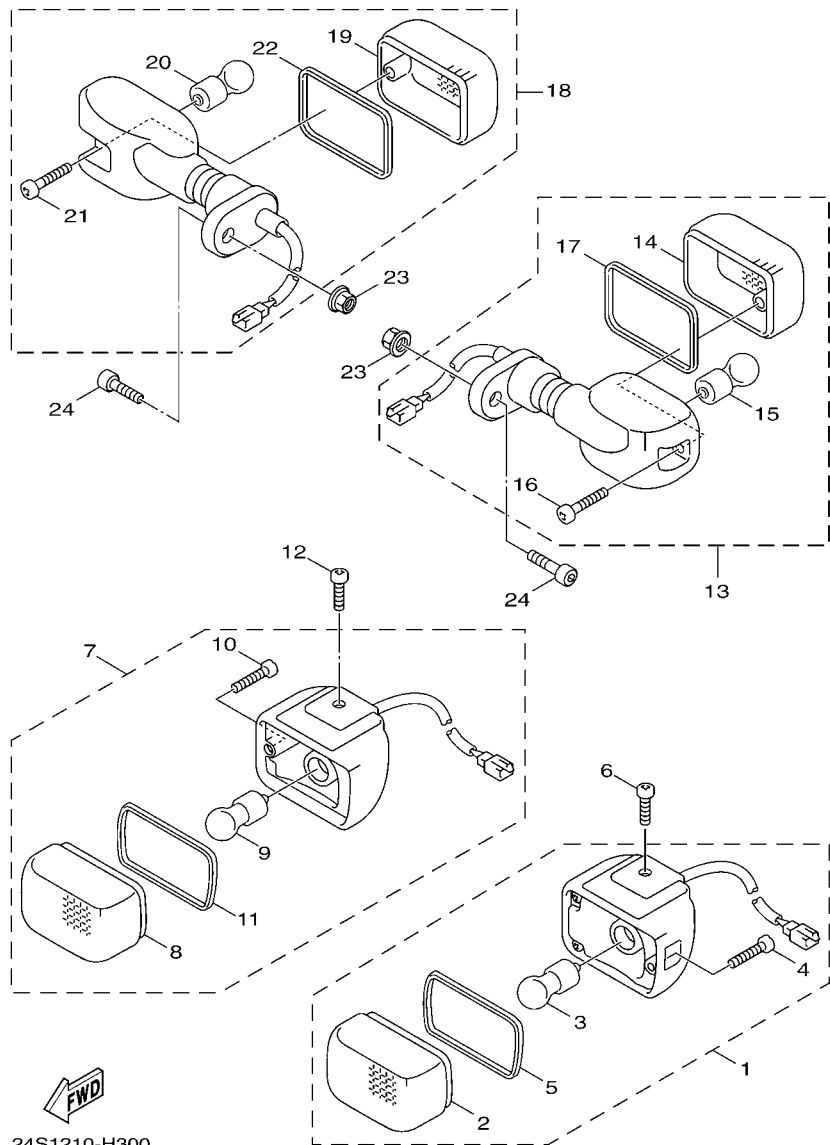
FIG. 29 MOTOR DE ARRANQUE

STARTING MOTOR

| REF. N° | CODIGO N° PART NO. | DESCRIPCION DESCRIPTION                           | 24S1 |  |  |  | OBSERVACIONES REMARKS |
|---------|--------------------|---|------|--|--|--|-----------------------|
| 1       | 5S9-H1800-00       | MOTOR DE ARRANQUE COMPLETO<br>STARTING MOTOR ASSY | 1    |  |  |  |                       |
| 2       | 5S9-W8180-00       | JUEGO DE ELECTRICO MOTOR<br>ELECTRIC STARTER KIT  | 1    |  |  |  |                       |
| 3       | 3KW-H1801-00       | JUEGO DE ESCOBILLA<br>BRUSH SET                   | 1    |  |  |  |                       |
| 4       | 93210-55669        | ANILLO O<br>O-RING                                | 1    |  |  |  |                       |
| 5       | 5S9-H1828-00       | TORNILLO DE EMPUJE 2<br>BOLT 2                    | 1    |  |  |  |                       |
| 6       | 93210-26668        | ANILLO O<br>O-RING                                | 1    |  |  |  |                       |
| 7       | 5S9-H183G-00       | CABLE DEL MOTOR COMPL.<br>CORD COMP.              | 1    |  |  |  |                       |
| 8       | 97507-06525        | PERNO CON ARANDELA<br>BOLT, WITH WASHER           | 2    |  |  |  |                       |

FIG. 30 LUZ DE DESTELLADOR

FLASHER LIGHT



24S1210-H300

| REF. Nº | CODIGO Nº PART NO. | DESCRIPCION DESCRIPTION                                  | 24S1 |  |  |  | OBSERVACIONES REMARKS |
|---------|--------------------|--|------|--|--|--|-----------------------|
| 1       | 5S9-H3310-00       | DESTELLADOR DE LUZ DELANT. FRONT FLASHER LIGHT ASSY 1    | 1    |  |  |  |                       |
| 2       | 5S9-H3312-00       | .LENTE DE DESTELLADOR .LENS, FLASHER                     | 1    |  |  |  |                       |
| 3       | 5FM-H3311-00       | .BOMBILLA (12V-10W) .BULB, FLASHER (12V-10W)             | 1    |  |  |  |                       |
| 4       | 5S9-H3333-00       | .TORNILLO ACCESORIO DE LENTE .SCREW, LENS FITTING        | 1    |  |  |  |                       |
| 5       | 5S9-H3313-00       | .EMPAQUE DE LENTE DESTELLADOR .GASKET, FLASHER LENS      | 1    |  |  |  |                       |
| 6       | 92012-05010        | PERNO BOLT, BUTTON HEAD                                  | 1    |  |  |  |                       |
| 7       | 5S9-H3320-00       | DESTELLADOR DE LUZ DELANT. FRONT FLASHER LIGHT ASSY 2    | 1    |  |  |  |                       |
| 8       | 5S9-H3312-00       | .LENTE DE DESTELLADOR .LENS, FLASHER                     | 1    |  |  |  |                       |
| 9       | 5FM-H3311-00       | .BOMBILLA (12V-10W) .BULB, FLASHER (12V-10W)             | 1    |  |  |  |                       |
| 10      | 5S9-H3333-00       | .TORNILLO ACCESORIO DE LENTE .SCREW, LENS FITTING        | 1    |  |  |  |                       |
| 11      | 5S9-H3313-00       | .EMPAQUE DE LENTE DESTELLADOR .GASKET, FLASHER LENS      | 1    |  |  |  |                       |
| 12      | 92012-05010        | PERNO BOLT, BUTTON HEAD                                  | 1    |  |  |  |                       |
| 13      | 5S9-H3330-00       | DESTELLADOR DE LUZ TRAS.COMPL. REAR FLASHER LIGHT ASSY 1 | 1    |  |  |  |                       |
| 14      | 5S9-H3312-00       | .LENTE DE DESTELLADOR .LENS, FLASHER                     | 1    |  |  |  |                       |
| 15      | 5FM-H3311-00       | .BOMBILLA (12V-10W) .BULB, FLASHER (12V-10W)             | 1    |  |  |  |                       |
| 16      | 5S9-H3333-00       | .TORNILLO ACCESORIO DE LENTE .SCREW, LENS FITTING        | 1    |  |  |  |                       |
| 17      | 5S9-H3313-00       | .EMPAQUE DE LENTE DESTELLADOR .GASKET, FLASHER LENS      | 1    |  |  |  |                       |
| 18      | 5S9-H3340-00       | DESTELLADOR DE LUZ TRAS.COMPL. REAR FLASHER LIGHT ASSY 2 | 1    |  |  |  |                       |
| 19      | 5S9-H3312-00       | .LENTE DE DESTELLADOR .LENS, FLASHER                     | 1    |  |  |  |                       |
| 20      | 5FM-H3311-00       | .BOMBILLA (12V-10W) .BULB, FLASHER (12V-10W)             | 1    |  |  |  |                       |
| 21      | 5S9-H3333-00       | .TORNILLO ACCESORIO DE LENTE .SCREW, LENS FITTING        | 1    |  |  |  |                       |
| 22      | 5S9-H3313-00       | .EMPAQUE DE LENTE DESTELLADOR .GASKET, FLASHER LENS      | 1    |  |  |  |                       |
| 23      | 95707-06500        | TUERCA DE BRIDA NUT, FLANGE                              | 2    |  |  |  |                       |
| 24      | 90110-06852        | TORNILLO ALLEN BOLT, HEXAGON SOCKET HEAD                 | 2    |  |  |  |                       |

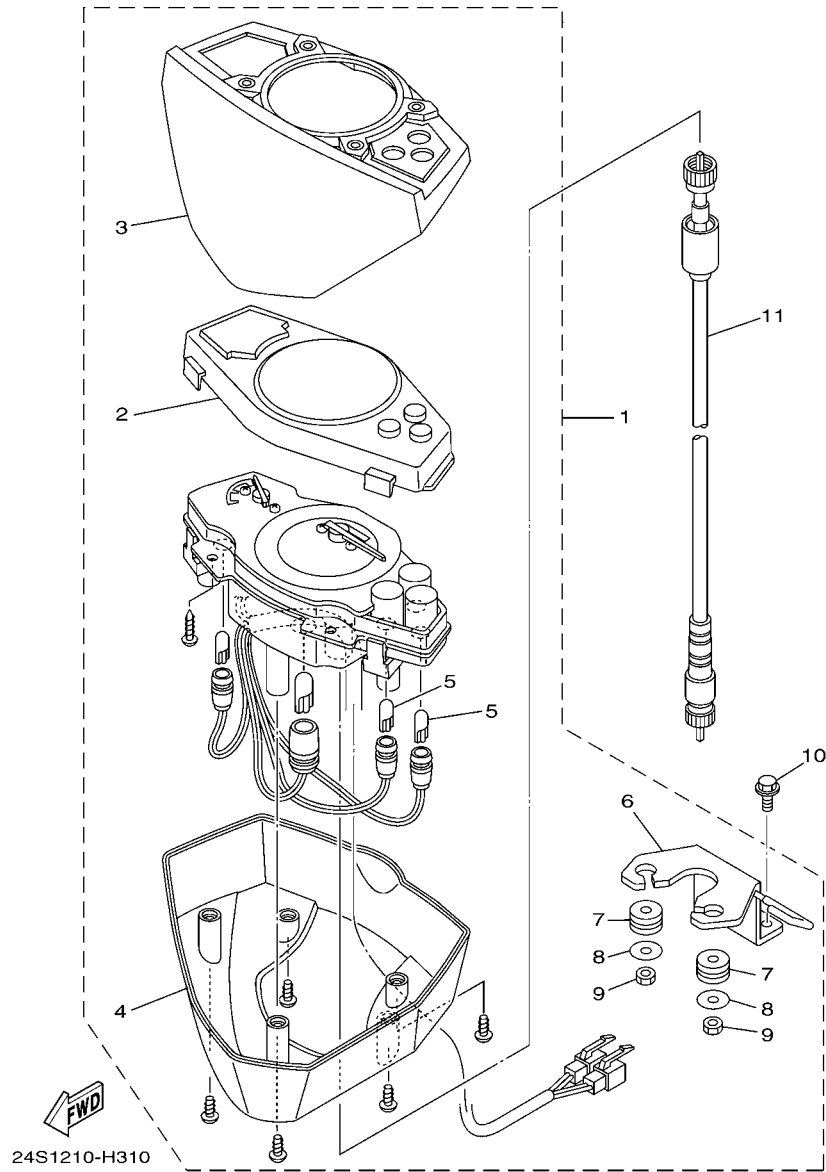
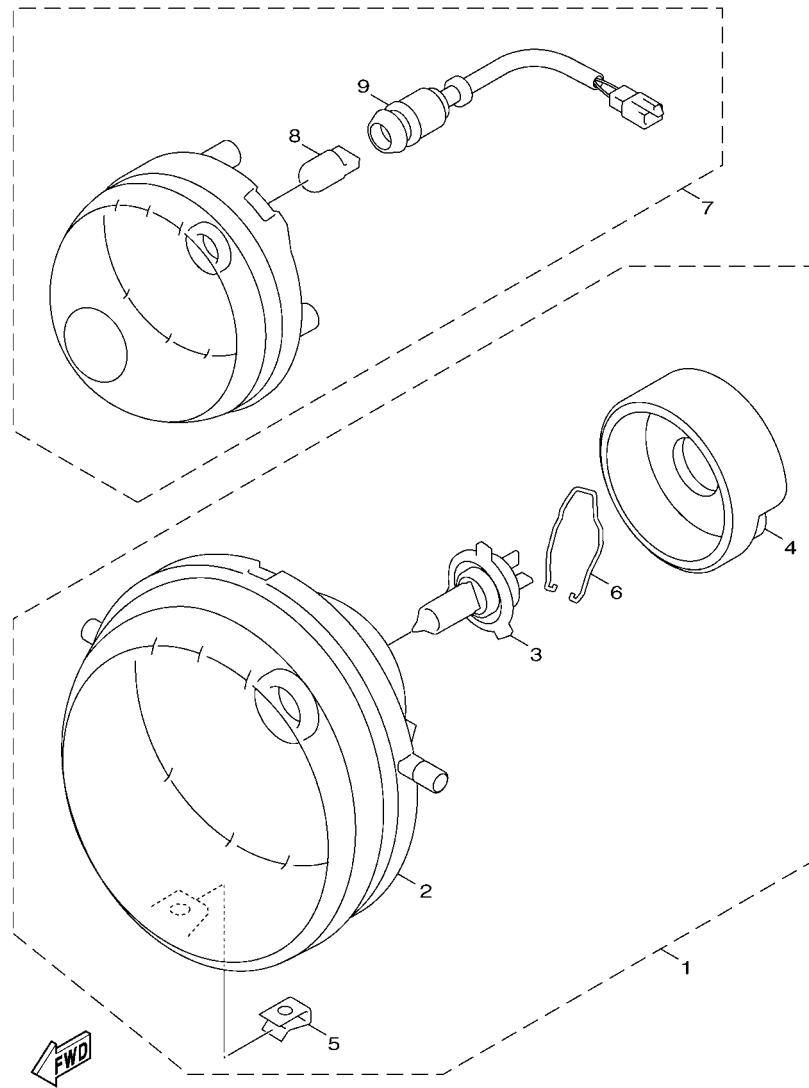


FIG. 31 MEDIDOR

METER

| REF. N° | CODIGO N° PART NO. | DESCRIPCION DESCRIPTION                                 | 24S1 |  |  |  | OBSERVACIONES REMARKS |
|---------|--------------------|---|------|--|--|--|-----------------------|
| 1       | 24P-H3500-00       | METRO COMPLETO<br>METER ASSY                            | 1    |  |  |  |                       |
| 2       | 5S9-H353K-00       | .CUBIERTA DE MEDIDOR<br>.GLASS PLATE                    | 1    |  |  |  |                       |
| 3       | 5S9-H353E-00       | .CAJA DE MEDIDOR SUPERIOR<br>.COVER, SPEEDOMETER        | 1    |  |  |  |                       |
| 4       | 5S9-H3507-00       | .CUBIERTA DE VELOCIMETRO<br>.CASE COMP, UNDER           | 1    |  |  |  |                       |
| 5       | 5JS-H3517-00       | .AMPOLLETA (12V-1.7W)<br>.BULB (12V-1.7W)               | 2    |  |  |  |                       |
| 6       | 5S9-H3519-00       | .SOPORTE DE MEDIDOR<br>.BRACKET, METER                  | 1    |  |  |  |                       |
| 7       | 5ST-H3513-00       | .AMORTIGUADOR<br>.DAMPER                                | 2    |  |  |  |                       |
| 8       | 5ST-H3663-00       | .ARANDELA<br>.WASHER, SPECIAL                           | 2    |  |  |  |                       |
| 9       | 5ST-H354P-00       | .TUERCA<br>.NUT   | 2    |  |  |  |                       |
| 10      | 95027-06012        | PERNO, DE BRIDA<br>BOLT, FLANGE                         | 2    |  |  |  |                       |
| 11      | 5S9-H3550-00       | CABLE DE VELOCIMETRO COMPLETO<br>SPEEDOMETER CABLE ASSY | 1    |  |  |  |                       |



5S91414-G310

FIG. 32 FARO DELANTERO

HEADLIGHT

| REF. N° | CODIGO N° PART NO. | DESCRIPCION DESCRIPTION                              | 24S1 |  |  |  | OBSERVACIONES REMARKS |
|---------|--------------------|--|------|--|--|--|-----------------------|
| 1       | 5S9-H4310-00       | UNIDAD DE FARO DELANTERO COMPL HEADLIGHT UNIT ASSY   | 1    |  |  |  |                       |
| 2       | 5S9-H430A-00       | .UNIDAD DE FARO DELANTERO COMPL .HEADLIGHT UNIT ASSY | 1    |  |  |  |                       |
| 3       | 5ST-H4314-00       | .BOMBILLA (12V-35/35W) .BULB, HEADLIGHT (12V-35/35W) | 1    |  |  |  |                       |
| 4       | 5ST-H4378-10       | .TAPA .CAP   | 1    |  |  |  |                       |
| 5       | 5S9-H4334-00       | .TUERCA DE AJUSTE .NUT, ADJUSTING                    | 1    |  |  |  |                       |
| 6       | 5ST-H4335-00       | .RESORTE .SPRING                                     | 1    |  |  |  |                       |
| 7       | 5S9-H4301-00       | LUZ PILOTO COMPLETA 1 PILOT LIGHT ASSY 1             | 1    |  |  |  |                       |
| 8       | 5SK-H4347-00       | .BOMBILLA (12V-5W) .BULB (12V-5W)                    | 1    |  |  |  |                       |
| 9       | 5S9-H4312-00       | .CABLE COMPLETA .CORD ASSY                           | 1    |  |  |  |                       |
|         |                    |  |      |  |  |  |                       |
|         |                    |  |      |  |  |  |                       |
|         |                    |  |      |  |  |  |                       |
|         |                    |  |      |  |  |  |                       |
|         |                    |  |      |  |  |  |                       |
|         |                    |  |      |  |  |  |                       |
|         |                    |  |      |  |  |  |                       |
|         |                    |  |      |  |  |  |                       |
|         |                    |  |      |  |  |  |                       |
|         |                    |  |      |  |  |  |                       |
|         |                    |  |      |  |  |  |                       |
|         |                    |  |      |  |  |  |                       |

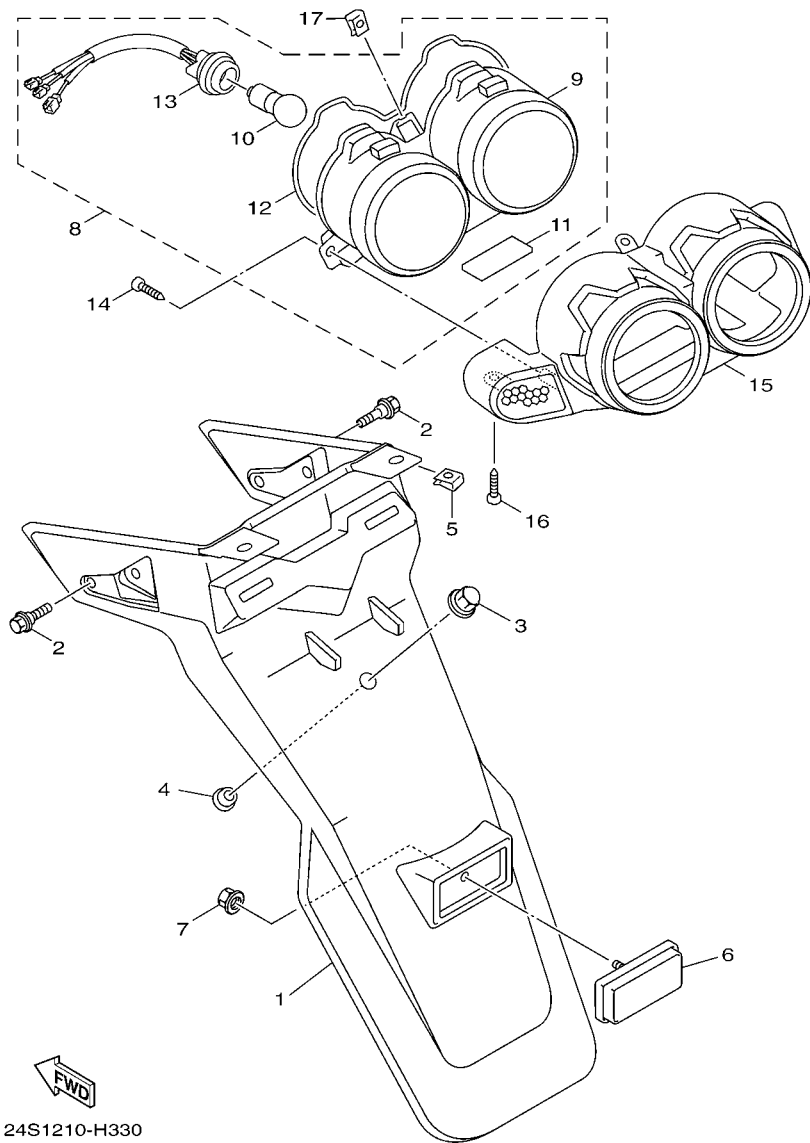
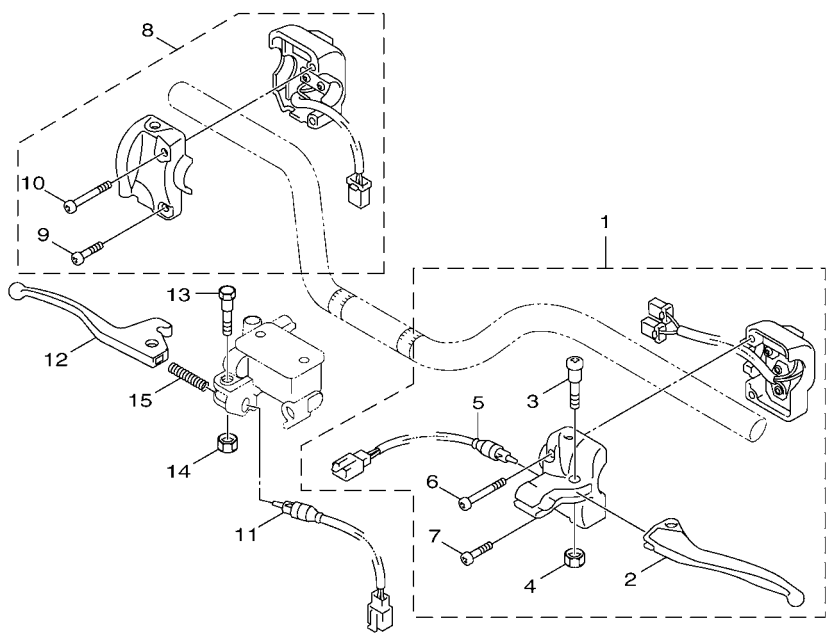


FIG. 33 LUZ DE COLA

TAILLIGHT

| REF. N° | CODIGO N° PART NO. | DESCRIPCION DESCRIPTION                           | 24S1 |  |  |  | OBSERVACIONES REMARKS |
|---------|--------------------|---|------|--|--|--|-----------------------|
| 1       | 5S9-F1685-00       | SOPORTE DE LICENCIA<br>BRACKET, LICENSE           | 1    |  |  |  |                       |
| 2       | 90109-06043        | PERNO<br>BOLT                                     | 2    |  |  |  |                       |
| 3       | 90176-06065        | TUERCA CORONA<br>NUT, CROWN                       | 1    |  |  |  |                       |
| 4       | 90387-06868        | ESPACIADOR<br>COLLAR                              | 1    |  |  |  |                       |
| 5       | 90183-05807        | TUERCA DE RESORTE<br>NUT, SPRING                  | 2    |  |  |  |                       |
| 6       | 3KW-H5130-00       | REFLECTOR TRASERO COMPLETO<br>REAR REFLECTOR ASSY | 1    |  |  |  |                       |
| 7       | 95707-05300        | TUERCA DE BRIDA<br>NUT, FLANGE                    | 1    |  |  |  |                       |
| 8       | 5S9-H4700-00       | FARO TRASERO COMPLET.<br>TAILLIGHT ASSY           | 1    |  |  |  |                       |
| 9       | 5S9-H4721-00       | .LENTE DE FARO TRASERO<br>.LENS, TAILLIGHT        | 1    |  |  |  |                       |
| 10      | 4TE-H4714-10       | .BOMBILLA (12V-18/5W)<br>.BULB (12V-18/5W)        | 1    |  |  |  |                       |
| 11      | 5S9-H4743-00       | .LENTE DE LUZ DE LICENCIA<br>.LENS, LICENCE LIGHT | 1    |  |  |  |                       |
| 12      | 5S9-H4723-00       | .EMPAQUE LENTE FARO TRASERO<br>.GASKET, TAIL LENS | 1    |  |  |  |                       |
| 13      | 5S9-H473A-00       | .CABLE COMPLETA<br>.CORD ASSY                     | 1    |  |  |  |                       |
| 14      | 97707-50016        | TORNILLO<br>SCREW, TRUSS HEAD TAPPING             | 2    |  |  |  |                       |
| 15      | 5S9-H4716-00       | CUBIERTA DE FARO TRASERO<br>COVER, TAILLIGHT      | 1    |  |  |  |                       |
| 16      | 97707-50012        | TORNILLO<br>SCREW, TRUSS HEAD TAPPING             | 2    |  |  |  |                       |
| 17      | 90183-05807        | TUERCA DE RESORTE<br>NUT, SPRING                  | 1    |  |  |  |                       |

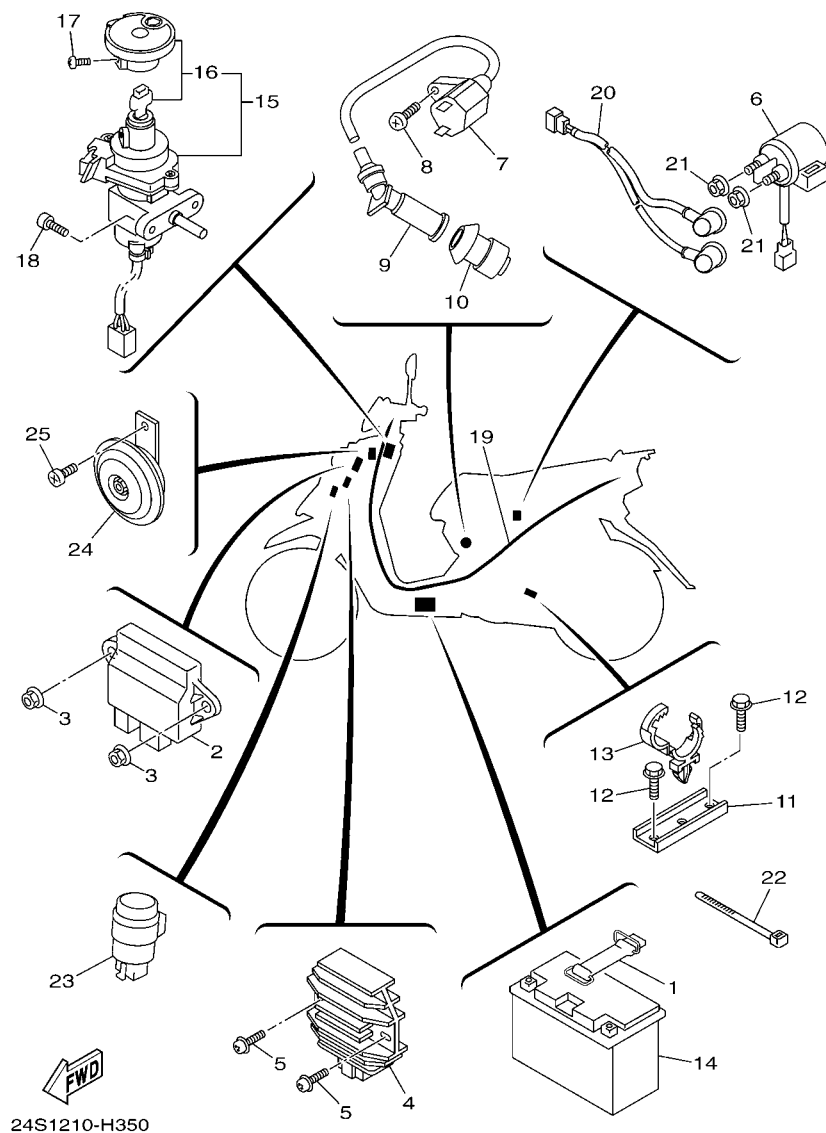
FIG. 34 INTERRUPTOR DE MANILLAR&PALANC Handle Switch & Lever



| REF. Nº | CODIGO Nº PART NO. | DESCRIPCION DESCRIPTION                                   | 24S1 |  |  |  | OBSERVACIONES REMARKS |
|---------|--------------------|---|------|--|--|--|-----------------------|
| 1       | 24P-H2910-00       | SOPORTE DE LEVA COMPLT 1<br>LEVER HOLDER ASSY (LEFT)      | 1    |  |  |  |                       |
| 2       | 4VP-H3912-10       | .PALANCA 1<br>.LEVER 1                                    | 1    |  |  |  |                       |
| 3       | 3XG-H3915-00       | .TORNILLO ACCESORIO DE PALANCA<br>.SCREW, LEVER FITTING   | 1    |  |  |  |                       |
| 4       | 95607-05100        | .TUERCA AUTOBLOCANTE<br>.NUT, U                           | 1    |  |  |  |                       |
| 5       | 5S9-H3980-10       | .INTERRUP. DE PARADA DELANTERO<br>.FRONT STOP SWITCH ASSY | 1    |  |  |  |                       |
| 6       | 98507-05035        | .TORNILLO DE CABEZA PLANA<br>.SCREW, PAN HEAD             | 1    |  |  |  |                       |
| 7       | 98507-05040        | .TORNILLO DE CABEZA PLANA<br>.SCREW, PAN HEAD             | 1    |  |  |  |                       |
| 8       | 5S9-H3976-00       | INTERRUPTOR DE MANIJA 1<br>SWITCH, HANDLE 1               | 1    |  |  |  |                       |
| 9       | 98507-05035        | .TORNILLO DE CABEZA PLANA<br>.SCREW, PAN HEAD             | 1    |  |  |  |                       |
| 10      | 98507-05040        | .TORNILLO DE CABEZA PLANA<br>.SCREW, PAN HEAD             | 1    |  |  |  |                       |
| 11      | 5S9-H3980-00       | INTERRUP. DE PARADA DELANTERO<br>FRONT STOP SWITCH ASSY   | 1    |  |  |  |                       |
| 12      | 4VP-H3922-10       | PALANCA 2<br>LEVER 2                                      | 1    |  |  |  |                       |
| 13      | 90109-06577        | PERNO<br>BOLT   | 1    |  |  |  |                       |
| 14      | 95607-06100        | TUERCA AUTOBLOCANTE<br>NUT, U                             | 1    |  |  |  |                       |
| 15      | 90501-10312        | RESORTE DE COMPRESION<br>SPRING, COMPRESSION              | 1    |  |  |  |                       |

  
5S91414-G330





24S1210-H350

FIG. 35 EQUIPO ELECTRICO 1

ELECTRICAL 1

| REF. Nº | CODIGO Nº PART NO. | DESCRIPCION DESCRIPTION  | 24S1 |  |  |  | OBSERVACIONES REMARKS |
|---------|--------------------|--|------|--|--|--|-----------------------|
| 1       | 5S9-H2131-00       | TIRANTE DE BATERIA<br>BAND, BATTERY                              | 1    |  |  |  |                       |
| 2       | 24P-H5540-00       | UNIDAD C.D.I. COMPLETA<br>C.D.I. UNIT ASSY                       | 1    |  |  |  |                       |
| 3       | 95707-05500        | TUERCA DE BRIDA<br>NUT, FLANGE                                   | 2    |  |  |  |                       |
| 4       | 5ML-H1960-00       | RECTIFICADOR Y REGULADOR<br>RECTIFIER & REGULATOR ASSY           | 1    |  |  |  |                       |
| 5       | 97607-06220        | TORNILLO CAB CON PLANA C/ARAN<br>SCREW, WITH WASHER              | 2    |  |  |  |                       |
| 6       | 5S9-H1940-00       | CONJUNTO ARRANCADOR RELEVO<br>STARTER RELAY ASSY                 | 1    |  |  |  |                       |
| 7       | 24P-H2310-00       | BOBINA DE ENCENDIDO COMPLETA<br>IGNITION COIL ASSY               | 1    |  |  |  |                       |
| 8       | 98507-05020        | TORNILLO DE CABEZA PLANA<br>SCREW, PAN HEAD                      | 1    |  |  |  |                       |
| 9       | 5ML-H2370-01       | TAPON DE BUJIA COMPLT<br>PLUG CAP ASSY                           | 1    |  |  |  |                       |
| 10      | 4P9-H2372-00       | SELLO DE TAPON<br>SEAL, PLUG CAP                                 | 1    |  |  |  |                       |
| 11      | 4P9-E546C-00       | SOPORTE<br>HOLDER  | 1    |  |  |  |                       |
| 12      | 97527-06512        | PERNO CON ARANDELA<br>BOLT, WITH WASHER                          | 2    |  |  |  |                       |
| 13      | 90464-25803        | BRIDA<br>CLAMP   | 1    |  |  |  |                       |
| 14      | 1P3-H2100-10       | BATERIA COMPLETA (YUASA YT7B-BS)<br>BATTERY ASSY (YUASA YT7B-BS) | 1    |  |  |  |                       |
| 15      | 5S9-H2501-00       | LLAVE DE IGNICION COMPLT<br>MAIN SWITCH STEERING LOCK            | 1    |  |  |  |                       |
| 16      | 5S9-WH203-00       | JUEGO DE LLAVE<br>KEY SET  | 1    |  |  |  | AP<br>AP              |
| 16      | 5S9-WH250-00-A0    | .OBTURADOR Y LLAVE EN BLANCO<br>.SHUTTER & BLANK KEY             | 1    |  |  |  | UR<br>UR              |
| 16      | 5S9-WH250-00-C0    | .OBTURADOR Y LLAVE EN BLANCO<br>.SHUTTER & BLANK KEY             | 1    |  |  |  | UR<br>UR              |
| 17      | 90119-05004        | TORNILLO CON ARANDELA<br>BOLT, WITH WASHER                       | 1    |  |  |  |                       |
| 18      | 98507-06014        | TORNILLO DE CABEZA CON PLANA<br>SCREW, PAN HEAD                  | 2    |  |  |  |                       |
| 19      | 24P-H2590-00       | CONJUNTO DE CABLES<br>WIRE HARNESS ASSY                          | 1    |  |  |  |                       |
| 20      | 5S9-H2541-00       | CABLE CONDUCTOR<br>WIRE, LEAD                                    | 1    |  |  |  |                       |
| 21      | 95307-06700        | TUERCA<br>NUT  | 2    |  |  |  |                       |
| 22      | 90464-40801        | BRIDA<br>CLAMP   | 1    |  |  |  |                       |
| 23      | 5CP-H3350-00       | RELE DE DESTELLADOR COMPL.<br>FLASHER RELAY ASSY                 | 1    |  |  |  |                       |
| 24      | 24P-H3371-00       | BOCINA<br>HORN   | 1    |  |  |  |                       |
| 25      | 98507-06012        | TORNILLO DE CABEZA PLANA<br>SCREW, PAN HEAD                      | 1    |  |  |  |                       |

INDICE NUMERICO  
NUMERICAL INDEX

| CODIGO Nº<br>PART NO. | REF.<br>Nº | CODIGO Nº<br>PART NO. | REF.<br>Nº | CODIGO Nº<br>PART NO. | REF.<br>Nº | CODIGO Nº<br>PART NO. | REF.<br>Nº | CODIGO Nº<br>PART NO. | REF.<br>Nº | CODIGO Nº<br>PART NO. | REF.<br>Nº |
|-----------------------|------------|-----------------------|------------|-----------------------|------------|-----------------------|------------|-----------------------|------------|-----------------------|------------|
| 5ML-12113-00          | 3 - 4      | 4CW-E2232-00          | 3 - 26     | 5JS-E4779-00          | 8 - 7      | 5TY-E5645-00          | 10 - 11    | 24S-F1781-20          | 15 - 7     | 5S9-F3317-00          | 17 - 43    |
| 663-14159-00          | 7 - 14     | 5ML-E2241-00          | 3 - 18     | 5ML-E4854-00          | 7 - 29     | 5S9-E5650-00          | 10 - 5     |                       | 15 - 9     | 5S9-F3340-00          | 17 - 38    |
| 4JH-14160-00          | 7 - 11     | 5TY-E2611-00          | 4 - 9      | 5TY-E4871-00          | 7 - 28     | 5ML-E5657-00          | 11 - 13    | 24P-F1782-00          | 15 - 7     | 4C6-F3346-00          | 17 - 41    |
| 3TJ-14191-40          | 7 - 27     | 5S9-E262H-00          | 4 - 15     | 24P-E4901-00          | 7 - 1      | 5ML-E5659-00          | 10 - 20    | 24P-F1783-00          | 15 - 9     | 4C6-F3411-10          | 17 - 40    |
| 5JG-14531-00          | 7 - 21     | 5ML-E2651-00          | 4 - 1      | 5ML-E4916-00          | 7 - 3      | 5ML-E5670-00          | 10 - 21    | 5CA-F1823-00          | 26 - 21    | 4C6-F3412-00          | 17 - 45    |
| 3TJ-14536-40          | 7 - 26     | 5ML-E2652-00          | 4 - 4      | 5TY-E4922-00          | 7 - 20     | 5ML-E5673-00          | 10 - 22    | 5S9-F2110-01          | 16 - 1     | 4C6-F3413-00          | 17 - 48    |
| 3TJ-14562-40          | 7 - 13     | 5ML-E2653-01          | 4 - 11     | 5UA-E4926-00          | 7 - 38     | 5CA-E6111-01          | 11 - 1     | 3UH-F2184-00          | 16 - 5     | 4C6-F3414-00          | 17 - 47    |
| 688-14592-00          | 7 - 16     | 5ML-E2658-00          | 4 - 6      | 24P-E4933-00          | 7 - 5      | 4CW-E6611-00          | 11 - 4     | 24P-F2210-00          | 16 - 9     | 4C6-F3416-00          | 17 - 50    |
| 4DH-14613-00          | 8 - 15     | 5ML-E2659-00          | 4 - 7      | 5TY-E4936-00          | 7 - 4      | 1P5-E6620-01          | 11 - 26    | 4X6-F2216-00          | 9 - 2      | 4VP-F3418-00          | 17 - 53    |
| 5BE-14937-00          | 7 - 24     | 5ML-E2668-00          | 4 - 2      | 24P-E4940-00          | 7 - 2      | 1P5-E6626-00          | 11 - 27    |                       | 16 - 8     | 4C6-F341D-00          | 17 - 49    |
| 3TJ-14952-40          | 7 - 12     | 1P3-E3300-00          | 5 - 1      | 24P-E4943-28          | 7 - 9      | 5S9-E7211-00          | 12 - 5     | 5S9-F3100-00          | 17 - 1     | 4C6-F341E-00          | 17 - 46    |
| 24P-E1102-00          | 1 - 1      | 1P3-E3316-00          | 5 - 2      | 5ML-E4945-00          | 7 - 30     | 5S9-E7410-00          | 12 - 1     | 5S9-F3102-00          | 17 - 2     | 1MH-F3441-01-35       | 23 - 4     |
| 5ML-E111F-00          | 3 - 22     | 1P3-E3318-00          | 5 - 4      | 5TY-E4947-00          | 7 - 7      | 5S9-E7421-00          | 12 - 4     | 5S9-F3103-00          | 17 - 20    | 5FH-F3442-00          | 23 - 3     |
| 1P3-E1133-10          | 1 - 2      | 5ML-E3324-00          | 2 - 8      | 5ML-E4958-00          | 7 - 37     | 4HP-E7611-00          | 11 - 17    | 5S9-F3110-00          | 17 - 4     | 5S9-F3461-00          | 23 - 2     |
| 1P3-E1134-10          | 1 - 3      | 1P3-E3325-00          | 5 - 3      | 5TY-E4958-00          | 7 - 6      | 5ML-E7620-02          | 11 - 7     |                       | 17 - 22    | 3KW-F3462-00          | 17 - 39    |
| 5ML-E1145-00          | 3 - 14     | 1P3-E3362-00          | 5 - 5      | 5TY-E4967-00          | 7 - 22     | 5ML-E7623-00          | 11 - 10    | 4C6-F3113-00          | 17 - 15    | 1MH-F3469-00          | 23 - 6     |
| 4CW-E1155-00          | 1 - 13     | 1P3-E3364-00          | 5 - 6      | 5ML-E4969-00          | 7 - 31     | 24P-E7632-00          | 11 - 9     |                       | 17 - 33    | 24P-F4110-00-33       | 18 - 1     |
| 5ML-E1160-00          | 1 - 9      | 5ST-E3365-00          | 5 - 7      | 24P-E4980-00          | 7 - 36     | 5S9-E7641-00          | 11 - 16    | 5S9-F3126-00          | 17 - 3     | 3UH-F4112-00          | 18 - 20    |
| 5ML-E1165-00          | 1 - 11     | 5ML-E3411-00          | 5 - 11     | 5TY-E4984-00          | 7 - 32     | 5TY-E7644-01          | 11 - 25    | 5S9-F3136-00          | 17 - 21    | 5S9-F414A-00          | 18 - 10    |
| 5ML-E1181-00          | 1 - 21     | 5ML-E3416-00          | 9 - 13     | 5TY-E4985-00          | 7 - 15     | 4CW-E7653-00          | 11 - 11    | 5S9-F3141-00          | 17 - 13    | 24P-F4311-00          | 18 - 16    |
| 5ML-E1185-00          | 1 - 10     | 5ML-E3452-00          | 2 - 6      | 1P5-E4987-00          | 1 - 27     | 4CW-E7660-01          | 11 - 19    |                       | 17 - 31    | 24P-F4313-00          | 18 - 23    |
| 5ML-E1186-00          | 1 - 16     | 5ML-E3474-00          | 6 - 6      | 5TY-E4994-00          | 7 - 25     | 4CW-E7664-00          | 11 - 23    | 5S9-F3142-00          | 17 - 5     | 24P-F4316-00          | 18 - 18    |
| 5ML-E1311-20          | 1 - 25     | 5ML-E3475-00          | 5 - 8      | 5ML-E5113-00          | 9 - 37     | 5S9-E7670-00          | 11 - 20    |                       | 17 - 23    | 3UH-F4376-00          | 18 - 14    |
| 5ML-E1351-20          | 1 - 26     | 5ML-E3556-20          | 6 - 3      | 5ML-E5138-00          | 9 - 4      | 24P-F1110-00-7M       | 13 - 1     | 4C6-F3145-00          | 17 - 11    | 4TE-F4500-00          | 18 - 6     |
| 5ML-E1391-00          | 1 - 30     | 3KW-E3569-00          | 4 - 3      | 5ML-E5191-00          | 9 - 26     | 5S9-F128A-00          | 13 - 17    |                       | 17 - 29    | 4CW-F452K-00          | 18 - 7     |
| 5ML-E1392-00          | 1 - 31     | 5ML-E3575-00          | 6 - 17     | 5ML-E5351-20          | 5 - 10     | 5S9-F1398-00          | 19 - 9     | 4C6-F3147-00          | 17 - 14    | 5S9-F4602-00          | 18 - 26    |
| 5S9-E1400-00          | 2 - 1      | 24P-E3585-00          | 6 - 1      | 5S9-E5362-00          | 9 - 38     | 5S9-F1420-00          | 13 - 2     |                       | 17 - 32    | 5S9-F467E-00          | 18 - 27    |
| 1P3-E1422-00          | 2 - 5      | 5ML-E3595-00          | 6 - 2      | 4Y4-E5363-00          | 9 - 16     | 5ML-F1480-10          | 13 - 7     | 4C6-F3151-00          | 17 - 7     | 5S9-F4730-00          | 19 - 1     |
| 4C6-E1603-00          | 2 - 13     | 5ML-E3769-00          | 9 - 39     | 5CA-E5371-00          | 9 - 5      | 3UH-F1481-00          | 13 - 4     |                       | 17 - 25    | 5S9-F4735-00          | 19 - 13    |
| 5ML-E1631-10          | 2 - 10     | 24P-E414G-00          | 7 - 8      | 5ML-E5404-00          | 9 - 41     | 5ML-F1481-00          | 13 - 12    | 4C6-F3153-00          | 17 - 42    | 24P-F473R-00          | 19 - 3     |
| 5LW-E1633-00          | 2 - 11     | 24P-E4196-00          | 7 - 23     | 5ML-E5407-00          | 9 - 40     | 5S9-F1482-00          | 13 - 8     | 4C6-F3154-00          | 17 - 17    | 1B6-F4742-00          | 19 - 6     |
| 5LW-E1651-00          | 2 - 4      | 24P-E4211-00          | 7 - 10     | 24P-E5411-01          | 9 - 22     | 5S9-F1511-00          | 14 - 1     |                       | 17 - 35    | 5S9-F475M-00          | 19 - 2     |
| 5ML-E1681-00          | 2 - 2      | 5TY-E4245-00          | 7 - 18     | 5ML-E5417-00          | 9 - 29     | 5S9-F1535-00          | 26 - 6     | 4C6-F3155-00          | 17 - 16    | 5S9-F4772-00          | 19 - 14    |
| 4C6-E2111-00          | 3 - 1      | 5TY-E4245-10          | 7 - 19     | 5S9-E5421-00          | 9 - 18     | 5ML-F1544-01          | 13 - 10    |                       | 17 - 34    | 4UE-F4780-02          | 19 - 17    |
| 4C6-E2117-00          | 3 - 6      | 5ML-E4386-00          | 7 - 35     | 5S9-E5451-10          | 9 - 23     | 5S9-F1552-00          | 14 - 4     | 4C6-F3157-00          | 17 - 12    | 5S9-F478E-00          | 19 - 19    |
| 5WG-E2118-00          | 3 - 5      | 24P-E4410-00          | 6 - 7      | 5ML-E5453-00          | 9 - 32     | 4JK-F1568-30          | 26 - 11    |                       | 17 - 30    | 5S9-F4842-00-7M       | 19 - 11    |
| 5ML-E2119-00          | 3 - 3      | 5S9-E443E-00          | 6 - 12     | 5ML-E5455-00          | 9 - 27     | 5CA-F1639-00          | 14 - 8     | 4C6-F3158-00          | 17 - 9     | 5ML-F5168-20-33       | 20 - 1     |
| 4C6-E2121-00          | 3 - 2      | 5JS-E4445-00          | 8 - 8      | 5S9-E5461-00          | 9 - 19     | 24P-F1668-00          | 26 - 24    |                       | 17 - 27    | 5S9-F5181-00          | 20 - 9     |
| 1P3-E2151-00          | 3 - 7      | 5S9-E4451-00          | 6 - 10     | 4P9-E546C-00          | 35 - 11    | 5S9-F1685-00          | 33 - 1     | 4C6-F3171-00          | 17 - 8     | 5ML-F5183-00          | 20 - 2     |
| 5HK-E2156-00          | 3 - 11     | 5S9-E4467-00          | 6 - 9      | 5ML-E5472-00          | 9 - 44     | 5S9-F1711-00          | 15 - 1     |                       | 17 - 26    | 5S9-F5190-00          | 20 - 11    |
| 4CW-E2157-00          | 3 - 25     | 5ML-E4590-00          | 7 - 34     | 4DM-E5481-00          | 9 - 47     | 5S9-F171E-00          | 15 - 11    | 4C6-F3181-00          | 17 - 10    | 5S9-F5315-00          | 16 - 7     |
| 5FM-E2159-00          | 3 - 9      | 5ML-E4592-00          | 7 - 33     | 5CA-E5521-00          | 10 - 7     | 5S9-F1741-00          | 15 - 10    |                       | 17 - 28    | 5ML-F5326-00          | 22 - 13    |
| 1P3-E2161-00          | 3 - 8      | 24P-E4610-00-98       | 8 - 1      | 5S9-E5524-00          | 10 - 1     | 3UH-F1753-00          | 18 - 22    | 4C6-F318X-00          | 17 - 6     | 5ML-F5338-20-33       | 22 - 1     |
| 5S9-E2170-01          | 3 - 12     | 5JS-E4617-00          | 8 - 10     | 5S9-E5532-00          | 10 - 9     | 4TE-F1753-00          | 18 - 11    |                       | 17 - 24    | 4VP-F533A-00          | 22 - 10    |
| 5LW-E2176-00          | 3 - 13     | 24P-E4708-00          | 8 - 5      | 5LW-E5538-00          | 10 - 3     | 24S-F1781-00          | 15 - 7     | 4C6-F3191-00          | 17 - 18    | 5S9-F5351-00          | 22 - 9     |
| 5ML-E2210-00          | 3 - 19     | 5ML-E4737-10          | 8 - 4      | 5TY-E5570-01          | 10 - 4     |                       | 15 - 9     |                       | 17 - 36    | 5S9-F5355-00          | 22 - 11    |
| 4DH-E2213-01          | 3 - 20     | 5JS-E4759-00          | 8 - 9      | 5ML-E5601-00          | 10 - 13    | 24S-F1781-10          | 15 - 7     | 4C6-F3192-00          | 17 - 19    | 5ML-F5377-00          | 22 - 16    |
| 5ML-E2231-00          | 3 - 17     | 4CW-E4766-00          | 8 - 6      | 5ML-E5620-00          | 10 - 18    |                       | 15 - 9     |                       | 17 - 37    | 5S9-F580T-00          | 21 - 3     |

INDICE NUMERICO  
NUMERICAL INDEX

| CODIGO Nº<br>PART NO. | REF.<br>Nº | CODIGO Nº<br>PART NO. | REF.<br>Nº | CODIGO Nº<br>PART NO. | REF.<br>Nº | CODIGO Nº<br>PART NO. | REF.<br>Nº | CODIGO Nº<br>PART NO. | REF.<br>Nº | CODIGO Nº<br>PART NO. | REF.<br>Nº |
|-----------------------|------------|-----------------------|------------|-----------------------|------------|-----------------------|------------|-----------------------|------------|-----------------------|------------|
| 5S9-F582U-00          | 21 - 1     | 5S9-F8372-00          | 26 - 27    | 5S9-H3519-00          | 31 - 6     | 5S9-XF172-00-P5       | 15 - 6     | 90153-06803           | 1 - 6      | 90280-03045           | 2 - 9      |
| 5S9-F5852-00          | 24 - 4     | 5ML-F838N-00          | 26 - 19    | 5S9-H353E-00          | 31 - 3     | 5S9-XF172-10-AL       | 15 - 6     | 90159-05820           | 27 - 4     | 90338-11820           | 6 - 15     |
| 5S9-F5854-00          | 24 - 3     | 5ML-F838R-00          | 26 - 20    | 5S9-H353K-00          | 31 - 2     | 5S9-XF172-10-P0       | 15 - 6     | 90159-06812           | 15 - 3     | 90338-16801           | 26 - 8     |
| 3GF-F5867-00          | 24 - 6     | 5S9-F840K-00-7M       | 26 - 5     | 5ST-H354P-00          | 31 - 9     | 5S9-XF173-00-P4       | 15 - 8     | 90159-06822           | 26 - 16    | 90340-12802           | 9 - 48     |
| 5S9-F5870-00          | 24 - 1     | 5S9-H1410-00          | 28 - 2     | 5S9-H3550-00          | 31 - 11    | 5S9-XF173-00-P5       | 15 - 8     | 90169-05800           | 19 - 7     | 90380-15817           | 10 - 15    |
| 5S9-F5872-00          | 24 - 8     | 1P3-H1450-00          | 28 - 1     | 5ST-H3663-00          | 31 - 8     | 5S9-XF173-10-AL       | 15 - 8     | 90170-05800           | 3 - 10     | 90387-061N6           | 8 - 14     |
| 5S9-F5875-00          | 24 - 11    | 5S9-H1800-00          | 29 - 1     | 4VP-H3912-10          | 34 - 2     | 5S9-XF173-10-P0       | 15 - 8     | 90170-36279           | 11 - 28    | 90387-06819           | 9 - 42     |
| 5S9-F5876-00          | 24 - 14    | 3KW-H1801-00          | 29 - 3     | 3XG-H3915-00          | 34 - 3     | 5ML-XF533-00          | 22 - 6     | 90176-06065           | 33 - 3     | 90387-06868           | 14 - 10    |
| 5S9-F5913-00          | 21 - 10    | 5S9-H1828-00          | 29 - 5     | 4VP-H3922-10          | 34 - 12    | 5S9-XF711-02          | 25 - 7     | 90176-08816           | 1 - 19     |                       | 27 - 7     |
| 5S9-F5917-00          | 21 - 8     | 5S9-H183G-00          | 29 - 7     | 31U-H3936-00          | 23 - 11    | 5S9-XF831-10-AL       | 26 - 1     | 90179-06843           | 23 - 19    |                       | 27 - 11    |
| 5S9-F5919-00          | 21 - 11    | 5S9-H1940-00          | 35 - 6     | 5S9-H3976-00          | 34 - 8     | 5S9-XF831-10-P0       | 26 - 1     | 90179-08804           | 8 - 16     |                       | 33 - 4     |
| 5S9-F5924-00          | 21 - 12    | 5ML-H1960-00          | 35 - 4     | 5S9-H3980-00          | 34 - 11    | 5S9-XF831-10-P4       | 26 - 1     | 90179-12248           | 28 - 6     | 90387-068C3           | 26 - 13    |
| 5S9-F5925-00          | 21 - 13    | 1P3-H2100-10          | 35 - 14    | 5S9-H3980-10          | 34 - 5     | 5S9-XF831-10-P5       | 26 - 1     | 90179-14427           | 11 - 5     | 90387-068F8           | 14 - 3     |
| 5S9-F5937-00          | 21 - 9     | 5S9-H2129-00          | 25 - 4     | 5S9-H4301-00          | 32 - 7     | 5S9-XF834-00-P0       | 26 - 17    | 90179-25615           | 17 - 51    | 90387-068F9           | 4 - 5      |
| 5S9-F6111-00          | 23 - 1     | 5S9-H2131-00          | 35 - 1     | 5S9-H430A-00          | 32 - 2     | 5S9-XH414-00          | 26 - 26    | 90183-05807           | 15 - 13    | 90387-125J1           | 20 - 10    |
| 5S9-F612K-00          | 27 - 8     | 24P-H2310-00          | 35 - 7     | 5S9-H4310-00          | 32 - 1     | 24P-XH575-00          | 18 - 2     |                       | 19 - 5     | 90387-16801           | 11 - 12    |
| 5S9-F612L-00          | 27 - 12    | 5ML-H2370-01          | 35 - 9     | 5S9-H4312-00          | 32 - 9     | 90101-06278           | 22 - 12    |                       | 25 - 6     | 90401-10805           | 24 - 9     |
| 5S9-F6141-00          | 27 - 5     | 4P9-H2372-00          | 35 - 10    | 5ST-H4314-00          | 32 - 3     | 90101-10875           | 16 - 11    |                       | 33 - 5     | 90430-06014           | 1 - 7      |
| 5S9-F6142-00          | 27 - 9     | 5S9-H2501-00          | 35 - 15    | 5S9-H4334-00          | 32 - 5     | 90105-06806           | 9 - 36     |                       | 33 - 17    | 90430-08816           | 9 - 15     |
| 5S9-F6143-01          | 27 - 3     | 5S9-H2541-00          | 35 - 20    | 5ST-H4335-00          | 32 - 6     | 90105-06807           | 9 - 35     | 90185-10110           | 25 - 20    | 90446-13803           | 9 - 6      |
| 4DH-F6199-01          | 15 - 4     | 24P-H2590-00          | 35 - 19    | 5SK-H4347-00          | 32 - 8     | 90105-06808           | 9 - 39     | 90185-10801           | 13 - 5     | 90450-28802           | 18 - 21    |
| 5S9-F6240-00          | 23 - 13    | 24P-H2910-00          | 34 - 1     | 5ST-H4378-10          | 32 - 4     | 90105-06809           | 9 - 34     |                       | 13 - 13    | 90450-53061           | 26 - 22    |
| 4VP-F6241-01          | 23 - 12    | 5S9-H3310-00          | 30 - 1     | 5S9-H4700-00          | 33 - 8     | 90105-06810           | 9 - 10     |                       | 23 - 7     | 90464-12812           | 13 - 14    |
| 4VP-F6280-00          | 27 - 2     | 5FM-H3311-00          | 30 - 3     | 4TE-H4714-10          | 33 - 10    | 90105-06817           | 9 - 11     |                       | 23 - 10    |                       | 23 - 18    |
| 4VP-F6290-00          | 27 - 1     |                       | 30 - 9     | 5S9-H4716-00          | 33 - 15    | 90105-08121           | 16 - 10    | 90185-14124           | 22 - 4     |                       | 23 - 24    |
| 24P-F6311-00          | 23 - 14    |                       | 30 - 15    | 5S9-H4721-00          | 33 - 9     | 90105-08835           | 8 - 19     | 90201-06055           | 8 - 11     | 90464-15840           | 13 - 22    |
| 24P-F6312-00          | 23 - 15    |                       | 30 - 20    | 5S9-H4723-00          | 33 - 12    | 90105-10036           | 23 - 9     | 90201-08609           | 1 - 18     | 90464-20809           | 13 - 15    |
| 5S9-F6351-00          | 23 - 17    | 5S9-H3312-00          | 30 - 2     | 5S9-H473A-00          | 33 - 13    | 90105-10638           | 21 - 14    | 90201-08810           | 25 - 11    | 90464-25803           | 35 - 13    |
| 5S9-F637H-00          | 23 - 22    |                       | 30 - 8     | 5S9-H4743-00          | 33 - 11    | 90109-06043           | 33 - 2     | 90201-08823           | 23 - 8     | 90464-40801           | 13 - 3     |
| 5ML-F7113-00          | 25 - 13    |                       | 30 - 14    | 3KW-H5130-00          | 33 - 6     | 90109-063F1           | 19 - 4     | 90201-10118           | 24 - 10    |                       | 35 - 22    |
| 5S9-F7114-01          | 25 - 8     |                       | 30 - 19    | 24P-H5540-00          | 35 - 2     |                       | 26 - 23    | 90201-101J1           | 8 - 17     | 90464-60800           | 13 - 16    |
| 5ML-F7117-00          | 25 - 9     | 5S9-H3313-00          | 30 - 5     | 53X-H5753-00          | 18 - 3     | 90109-06577           | 34 - 13    |                       | 16 - 13    | 90467-08003           | 18 - 19    |
| 5ML-F7121-00          | 25 - 12    |                       | 30 - 11    | 5S9-W0041-00          | 24 - 2     | 90109-06862           | 26 - 12    | 90201-105A2           | 13 - 6     | 90467-09006           | 18 - 17    |
| 5S9-F7244-00          | 25 - 16    |                       | 30 - 17    | 5S9-W0045-00          | 21 - 7     | 90109-10005           | 25 - 19    |                       | 13 - 9     |                       | 18 - 24    |
| 5SU-F7254-01          | 25 - 17    |                       | 30 - 22    | 5S9-W0047-00          | 21 - 5     | 90110-06851           | 26 - 7     | 90201-108A3           | 10 - 8     | 90467-10041           | 18 - 15    |
| 5S9-F7311-00          | 25 - 18    | 5S9-H3320-00          | 30 - 7     | 5S9-W0048-00          | 21 - 6     | 90110-06852           | 30 - 24    | 90201-12172           | 9 - 49     | 90467-12052           | 6 - 14     |
| 5HK-F7475-00          | 25 - 3     | 5S9-H3330-00          | 30 - 13    | 5S9-W0057-00          | 21 - 4     | 90111-06801           | 8 - 12     | 90201-12688           | 28 - 5     |                       | 9 - 7      |
| 5S9-F7481-00          | 25 - 1     | 5S9-H3333-00          | 30 - 4     | 5S9-W8180-00          | 29 - 2     | 90116-08806           | 1 - 5      | 90201-155G5           | 10 - 16    | 90467-13042           | 1 - 28     |
| 4CW-F8100-00          | 13 - 23    |                       | 30 - 10    | 24P-WE441-00          | 6 - 8      | 90119-05004           | 26 - 25    | 90201-15830           | 12 - 2     | 90467-13813           | 6 - 13     |
| 5S9-F8257-00          | 26 - 15    |                       | 30 - 16    | 5S9-WE442-00          | 6 - 11     |                       | 35 - 17    | 90201-168S9           | 11 - 15    | 90480-01558           | 13 - 21    |
| 5S9-F8312-00          | 26 - 9     |                       | 30 - 21    | 5S9-WE511-00          | 9 - 1      | 90119-05071           | 18 - 5     | 90201-220J8           | 22 - 5     | 90480-12497           | 4 - 14     |
| 24P-F8315-00          | 26 - 3     | 5S9-H3340-00          | 30 - 18    | 5S9-WE512-00          | 9 - 3      | 90119-06821           | 14 - 2     | 90202-05193           | 18 - 9     | 90480-12813           | 14 - 11    |
| 24P-F8315-10          | 26 - 3     | 5CP-H3350-00          | 35 - 23    | 5S9-WH203-00          | 35 - 15    |                       | 14 - 5     | 90202-15803           | 13 - 11    | 90480-13814           | 13 - 20    |
| 24P-F8315-20          | 26 - 3     | 24P-H3371-00          | 35 - 24    | 5S9-WH250-00-A0       | 35 - 16    | 90119-06857           | 4 - 10     | 90202-26142           | 17 - 52    | 90480-14810           | 8 - 13     |
| 24P-F8315-30          | 26 - 3     | 24P-H3500-00          | 31 - 1     | 5S9-WH250-00-C0       | 35 - 16    | 90119-06874           | 25 - 2     | 90208-12050           | 11 - 14    | 90501-10312           | 34 - 15    |
| 24P-F832D-00          | 26 - 2     | 5S9-H3507-00          | 31 - 4     | 24P-XE543-00          | 9 - 45     | 90119-08848           | 19 - 12    | 90249-12008           | 23 - 20    | 90501-16004           | 5 - 12     |
| 5FM-F8349-00          | 26 - 14    | 5ST-H3513-00          | 31 - 7     | 5S9-XF161-00          | 14 - 7     | 90149-06011           | 18 - 8     | 90269-06806           | 15 - 2     | 90501-16801           | 23 - 21    |
| 5S9-F8372-00          | 26 - 18    | 5JS-H3517-00          | 31 - 5     | 5S9-XF172-00-P4       | 15 - 6     | 90149-08814           | 21 - 2     |                       | 19 - 8     | 90501-45801           | 11 - 24    |

INDICE NUMERICO  
NUMERICAL INDEX

| CODIGO Nº<br>PART NO. | REF.<br>Nº | CODIGO Nº<br>PART NO. | REF.<br>Nº | CODIGO Nº<br>PART NO. | REF.<br>Nº | CODIGO Nº<br>PART NO. | REF.<br>Nº | CODIGO Nº<br>PART NO. | REF.<br>Nº | CODIGO Nº<br>PART NO. | REF.<br>Nº |
|-----------------------|------------|-----------------------|------------|-----------------------|------------|-----------------------|------------|-----------------------|------------|-----------------------|------------|
| 90506-13800           | 22 - 7     | 93306-202X1           | 16 - 6     | 9580L-06010           | 17 - 44    | 99009-25400           | 12 - 6     |                       |            |                       |            |
| 90506-16801           | 25 - 21    | 93306-203YS           | 11 - 6     | 95817-08016           | 3 - 15     | 99480-05010           | 9 - 33     |                       |            |                       |            |
| 90506-16802           | 22 - 8     | 93306-272X0           | 11 - 2     |                       | 9 - 14     |                       |            |                       |            |                       |            |
| 90506-20803           | 25 - 15    | 93306-272Y0           | 12 - 8     | 95817-08030           | 13 - 19    |                       |            |                       |            |                       |            |
| 90506-26802           | 25 - 22    | 93306-301YA           | 20 - 5     | 95817-10035           | 8 - 18     |                       |            |                       |            |                       |            |
| 90506-40800           | 25 - 14    | 93306-301YL           | 12 - 10    | 95827-06012           | 18 - 4     |                       |            |                       |            |                       |            |
| 90508-32609           | 10 - 14    | 93306-303Y8           | 12 - 7     |                       | 23 - 23    |                       |            |                       |            |                       |            |
| 91317-05010           | 23 - 16    | 93306-372Y3           | 2 - 7      | 95827-08025           | 16 - 3     |                       |            |                       |            |                       |            |
| 91317-05014           | 18 - 25    | 93310-450X2           | 10 - 2     | 95827-08045           | 16 - 2     |                       |            |                       |            |                       |            |
| 91317-06012           | 3 - 23     | 93310-528Y9           | 2 - 3      | 97080-06008           | 8 - 2      |                       |            |                       |            |                       |            |
| 91317-06016           | 3 - 21     | 93311-315Y2           | 12 - 3     | 97507-06525           | 29 - 8     |                       |            |                       |            |                       |            |
| 91317-06025           | 24 - 7     | 93315-110Y6           | 10 - 6     | 97527-06512           | 1 - 12     |                       |            |                       |            |                       |            |
| 91317-06030           | 10 - 19    | 93450-16068           | 2 - 12     |                       | 35 - 12    |                       |            |                       |            |                       |            |
| 91317-06100           | 1 - 24     | 93900-00814           | 20 - 7     | 97607-06220           | 4 - 13     |                       |            |                       |            |                       |            |
| 91317-08025           | 23 - 5     |                       | 22 - 3     |                       | 6 - 16     |                       |            |                       |            |                       |            |
| 91810-14807           | 1 - 22     | 94112-12805           | 20 - 6     |                       | 35 - 5     |                       |            |                       |            |                       |            |
|                       | 1 - 23     | 94113-12802           | 22 - 2     | 97607-06225           | 28 - 4     |                       |            |                       |            |                       |            |
|                       | 9 - 8      | 94568-75094           | 3 - 16     | 97607-06230           | 6 - 18     |                       |            |                       |            |                       |            |
|                       | 9 - 20     | 94700-00881           | 1 - 20     | 97707-50012           | 15 - 5     |                       |            |                       |            |                       |            |
|                       | 9 - 24     | 95027-06010           | 9 - 28     |                       | 15 - 12    |                       |            |                       |            |                       |            |
| 91A10-07005           | 18 - 13    | 95027-06012           | 10 - 10    |                       | 15 - 14    |                       |            |                       |            |                       |            |
| 91A11-07042           | 18 - 12    |                       | 10 - 12    |                       | 25 - 5     |                       |            |                       |            |                       |            |
| 92012-05010           | 30 - 6     |                       | 31 - 10    |                       | 33 - 16    |                       |            |                       |            |                       |            |
|                       | 30 - 12    | 95027-06016           | 1 - 29     | 97707-50016           | 14 - 6     |                       |            |                       |            |                       |            |
| 92990-06600           | 8 - 3      | 95027-06020           | 1 - 15     |                       | 26 - 4     |                       |            |                       |            |                       |            |
| 93101-21170           | 11 - 8     | 95027-06025           | 9 - 25     |                       | 26 - 10    |                       |            |                       |            |                       |            |
| 93102-17853           | 20 - 3     | 95027-06030           | 9 - 21     |                       | 26 - 28    |                       |            |                       |            |                       |            |
| 93102-19293           | 9 - 30     | 95307-06700           | 35 - 21    |                       | 33 - 14    |                       |            |                       |            |                       |            |
| 93102-22800           | 11 - 3     | 95307-10800           | 16 - 12    | 97707-60516           | 4 - 12     |                       |            |                       |            |                       |            |
| 93102-22843           | 9 - 12     | 95307-12700           | 11 - 18    | 97707-60520           | 4 - 16     |                       |            |                       |            |                       |            |
| 93102-32800           | 12 - 9     | 95604-08200           | 25 - 10    | 97707-60530           | 4 - 8      |                       |            |                       |            |                       |            |
| 93104-41119           | 11 - 21    | 95607-05100           | 34 - 4     | 98502-04012           | 7 - 17     |                       |            |                       |            |                       |            |
| 93106-20813           | 16 - 4     | 95607-06100           | 34 - 14    | 98507-05010           | 19 - 20    |                       |            |                       |            |                       |            |
| 93210-09802           | 1 - 4      | 95607-12200           | 20 - 8     | 98507-05020           | 5 - 9      |                       |            |                       |            |                       |            |
| 93210-09859           | 22 - 15    | 95617-06625           | 1 - 8      |                       | 35 - 8     |                       |            |                       |            |                       |            |
| 93210-14802           | 22 - 17    | 95707-05300           | 33 - 7     | 98507-05035           | 34 - 6     |                       |            |                       |            |                       |            |
| 93210-14805           | 9 - 17     | 95707-05500           | 35 - 3     |                       | 34 - 9     |                       |            |                       |            |                       |            |
| 93210-15862           | 3 - 24     | 95707-06500           | 6 - 5      | 98507-05040           | 34 - 7     |                       |            |                       |            |                       |            |
| 93210-26668           | 29 - 6     |                       | 19 - 16    |                       | 34 - 10    |                       |            |                       |            |                       |            |
| 93210-27800           | 6 - 4      |                       | 30 - 23    | 98507-06012           | 35 - 25    |                       |            |                       |            |                       |            |
| 93210-29800           | 5 - 13     | 95707-10500           | 22 - 14    | 98507-06014           | 35 - 18    |                       |            |                       |            |                       |            |
| 93210-43800           | 11 - 22    | 95807-06010           | 13 - 18    | 98507-06016           | 28 - 3     |                       |            |                       |            |                       |            |
| 93210-54008           | 1 - 17     | 95807-06012           | 19 - 15    | 98707-04012           | 24 - 5     |                       |            |                       |            |                       |            |
| 93210-55669           | 29 - 4     |                       | 24 - 12    | 98907-05014           | 27 - 6     |                       |            |                       |            |                       |            |
| 93210-71462           | 1 - 14     |                       | 24 - 13    |                       | 27 - 10    |                       |            |                       |            |                       |            |
| 93211-07801           | 9 - 31     | 95807-06016           | 14 - 9     | 98907-06016           | 9 - 43     |                       |            |                       |            |                       |            |
| 93306-003Y4           | 9 - 50     |                       | 19 - 10    | 98907-06020           | 9 - 46     |                       |            |                       |            |                       |            |
| 93306-201Y7           | 20 - 4     |                       | 19 - 18    | 99009-15400           | 10 - 17    |                       |            |                       |            |                       |            |